

Centec Premier Sliding Door

Features:

- Softclose mechanism pulls door snug to the wall
- Header is Stainless Steel sheetmetal wrapped over a strengthened aluminum core
- Height adjustment within hangers
- Cushioned vinyl protects glass edge
- 5/8" tall water dam
- Accommodates openings up to 66" wide and 80" tall
- Standard 3/8" Glass

Configurations:

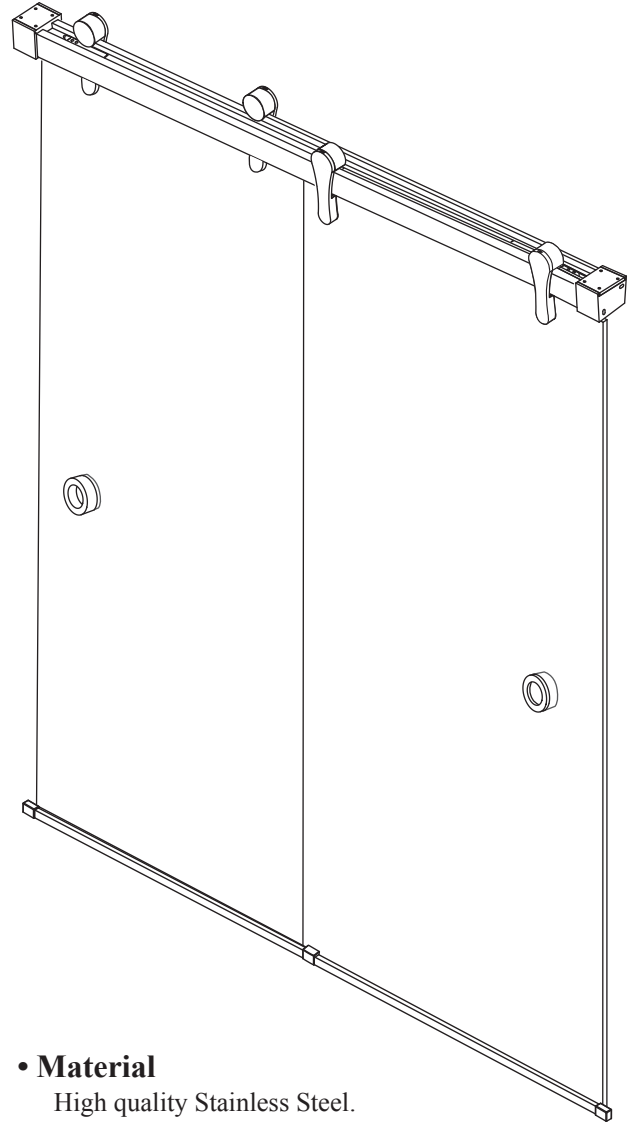
- Consists of 2 sliding doors on high grade precision rollers

Glass coating option:

- Diamon-Fusion treatment helps protect the build up of soap scum and hard water deposits and reduces cleaning time by 50%. Simply wipe down with a washcloth or squeegee after showering.

Codes/Standards

Tempered Glass
ANSI Z97.1
16 CFR 1201



• Material

High quality Stainless Steel.

• Colors

Available in Polished Stainless, Satin Stainless, Oil Rubbed Bronze, Matte Black.

• Century Bathworks 3 year Limited Warranty

See website or call for detailed information.

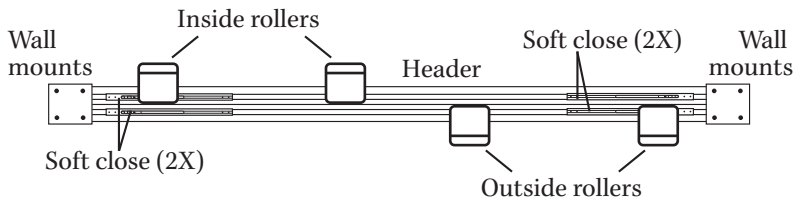
• Specifications

Model Number:	Premier bypass
Door Type:	Two sliding doors
Opening style:	Sliding
Opening width:	Stock 45 - 47", 57 - 59"
Door sizes:	Custom available
Opening height stall:	72 - 76"
Glass thickness:	3/8"
Assembly:	Read installation guide
Country of origin:	United States of America

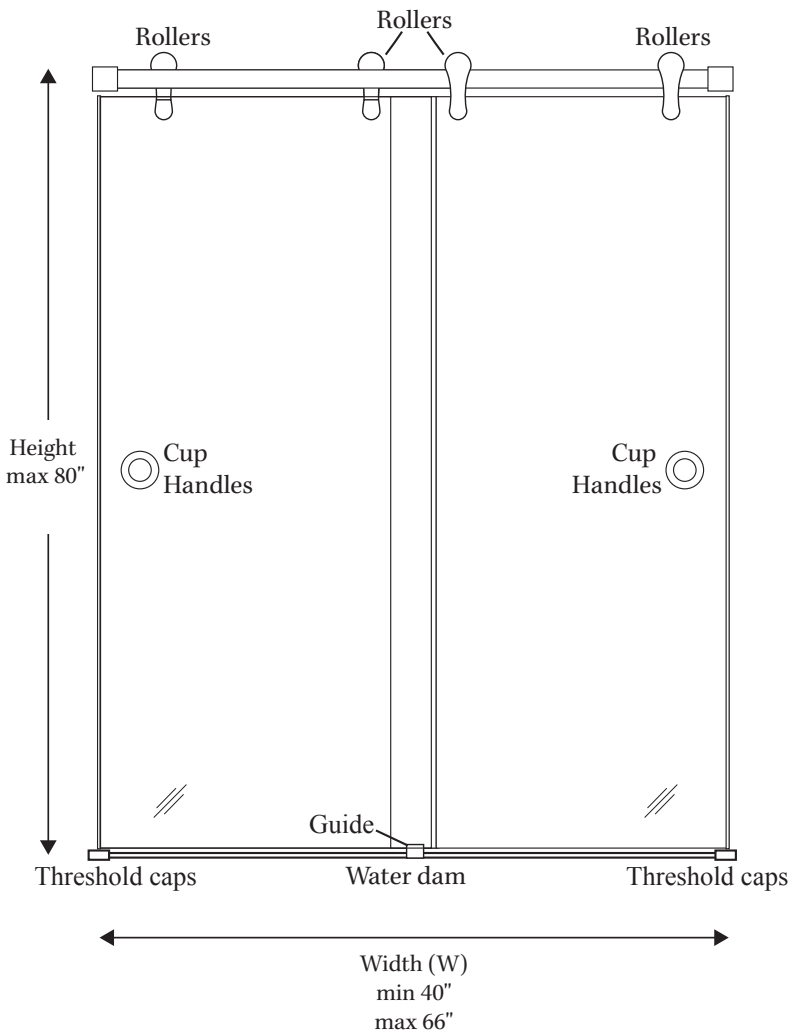
• For residential and hospitality use

Centec Premier Sliding Door

Top View



Front View



Side View

