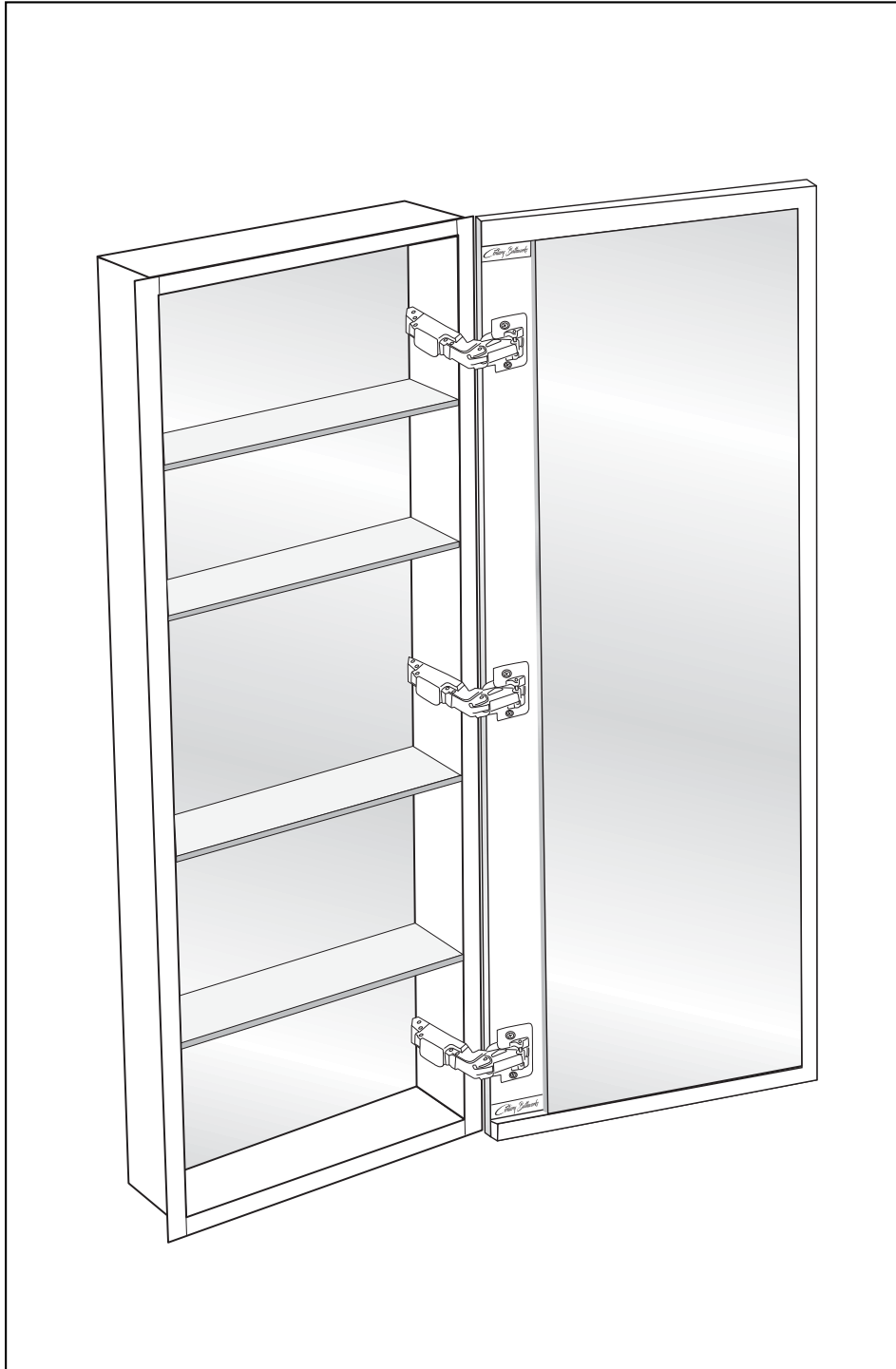


# Medicine Cabinet Installation Guide



# General Notes:

- Century cabinets are available in a variety of heights and depths and can be surface mounted, recessed, or semi-recessed. Once you have determined your installation method, follow the specific areas below for your cabinet system. When surface mounting or semi-recessing, a mirror side kit is necessary (sold separately).
  - Recessed or semi-recessed: see page 2
  - Surface mount - see page 4
- Cabinets must be installed square and plumb to insure that the doors will operate properly. Use a square and level when installing all cabinets.
- Connecting Cabinets - instructions for connecting cabinets are included in your installation method section
- Mirror/Shelf Kits - see instructions included with center mirror/shelf kit prior to performing surface mount instructions
- Remove cabinet door from box. DO NOT remove protective covering from door until ready for installation on cabinet box. Place to side out of the way so it does not get damaged. DO NOT place unprotected door down on any hard surface, as the mirror will chip.

## Rough Opening Specifications

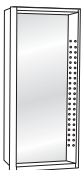

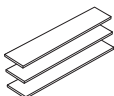
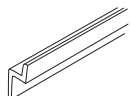
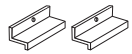





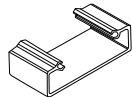




Model #	Rough Opening Single Cabinet	Rough Opening Two Cabinets
	Width x Height	Width x Height
1524	14 <sup>1</sup> / <sub>4</sub> " x 23 <sup>3</sup> / <sub>8</sub> "	29 <sup>1</sup> / <sub>4</sub> " x 23 <sup>3</sup> / <sub>8</sub> "
1530	14 <sup>1</sup> / <sub>4</sub> " x 29 <sup>3</sup> / <sub>8</sub> "	29 <sup>1</sup> / <sub>4</sub> " x 29 <sup>3</sup> / <sub>8</sub> "
1930	18 <sup>1</sup> / <sub>4</sub> " x 29 <sup>3</sup> / <sub>8</sub> "	37 <sup>1</sup> / <sub>4</sub> " x 29 <sup>3</sup> / <sub>8</sub> "
2330	22 <sup>1</sup> / <sub>4</sub> " x 29 <sup>3</sup> / <sub>8</sub> "	45 <sup>1</sup> / <sub>4</sub> " x 29 <sup>3</sup> / <sub>8</sub> "
1540	14 <sup>1</sup> / <sub>4</sub> " x 39 <sup>3</sup> / <sub>8</sub> "	29 <sup>1</sup> / <sub>4</sub> " x 39 <sup>3</sup> / <sub>8</sub> "
1940	18 <sup>1</sup> / <sub>4</sub> " x 39 <sup>3</sup> / <sub>8</sub> "	37 <sup>1</sup> / <sub>4</sub> " x 39 <sup>3</sup> / <sub>8</sub> "
2340	22 <sup>1</sup> / <sub>4</sub> " x 39 <sup>3</sup> / <sub>8</sub> "	45 <sup>1</sup> / <sub>4</sub> " x 39 <sup>3</sup> / <sub>8</sub> "

## Tools Required

- Safety Glasses
- Measuring Tape
- Level
- Square
- Power screw driver or a #2 Phillips head screw driver
- Electric Drill
- 8mm masonry drill bit
- 7/32" drill bit

## Parts List - 30" High Cabinet - See back page for other heights

*\*Note: do not remove door from protective packaging until installation of door itself)*

							
Cabinet (1)	Door* (1)	Glass Shelf (3)	Mounting Bracket (1)	Top Z-Clip (2)	Hole Plug (32)	Clear Shelf Clip (12)	Screw Head Cover Cap (12)
							
Wood Screws (4) #10 x 1 <sup>1</sup> / <sub>2</sub> "	Plastic Wall Anchor (4)	Cabinet Connector (2)	Machine Screw (8) #10-32 x 1 <sup>1</sup> / <sub>2</sub> "	Name Plate (2)	130° Limit Clip (2)	Shelf Clip Stick Tab (12)	

# Recess Medicine Cabinet Installation

1. Take Care in determining correct opening size (Fig 1). Use specifications on page 1, or following formulas:
  - a. Rough opening width = cabinet width minus  $3/4"$ .
  - b. Rough opening height = cabinet height minus  $5/8"$ .
  - c. Rough opening width for 2 or more cabinets = cabinet width plus second cabinet width minus  $3/4"$ .  
Example:  $15"$  wide plus  $19"$  wide cabinet =  $15" + 19" = 34" - 3/4" = 33 1/4"$  rough opening width.
2. **IMPORTANT:** Make sure opening is PLUMB and LEVEL (Fig 1)! A square and plumb installation insures proper operation of door.
3. **IMPORTANT:** Locate medicine cabinet at correct height. Make sure there is at least  $1"$  of clearance above any obstructions (Fig 2).

**NOTE:** If connecting cabinets, preform "Cabinet Connector Installation" instructions on page 9 prior to step 4.
4. Steps 4a to 4d are for semi-recess of  $6"$  cabinet utilizing  $2"$  mirror side kits only. If fully recessing, skip to step 5.
  - 4a. Using  $10-32 \times 1/2"$  machine screws, attach side kit mounting bracket (Fig 3)
  - 4b. **IMPORTANT:** Thoroughly clean back of side kit mirror with alcohol pad.
  - 4c. Place  $2" \times 2"$  foam pads  $1"$  from each end of mirror strip (Fig 3).
  - 4d. Peel tape off brackets and place mirrored side kit as shown (Fig 3). Mirror should be even with front of cabinet flange and flush with the top and bottom of the cabinet. Repeat for opposite side.

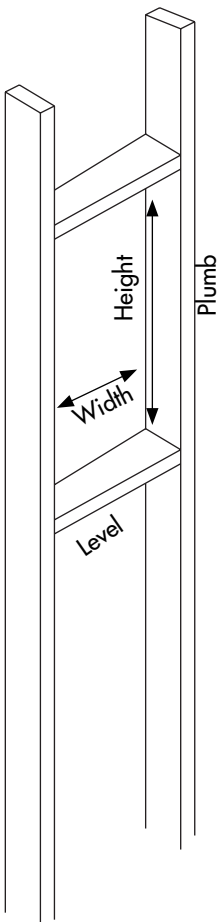


FIG 1

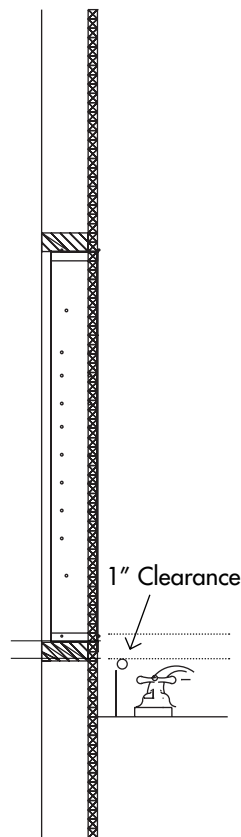


FIG 2

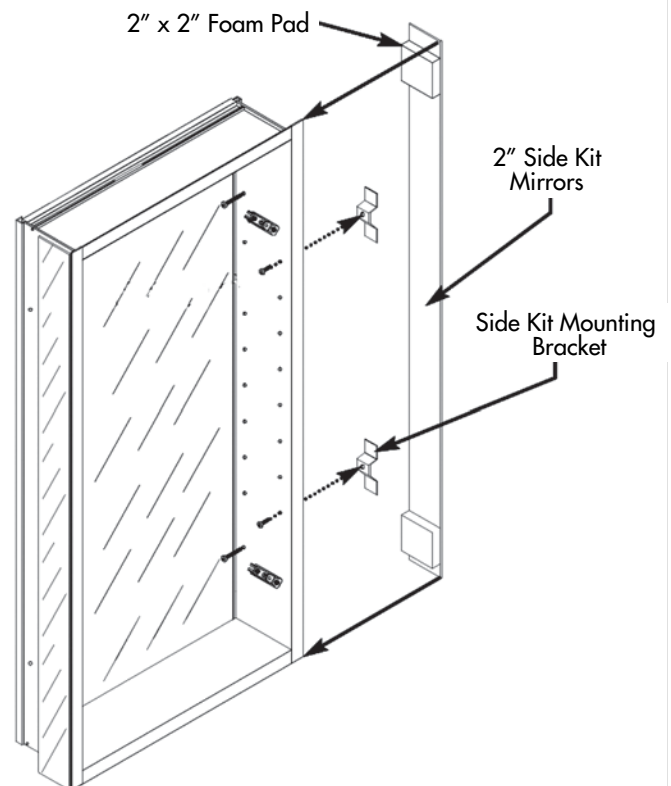
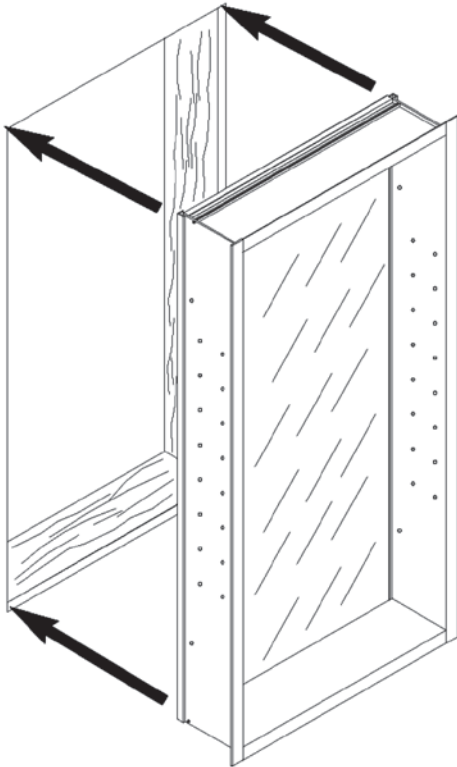
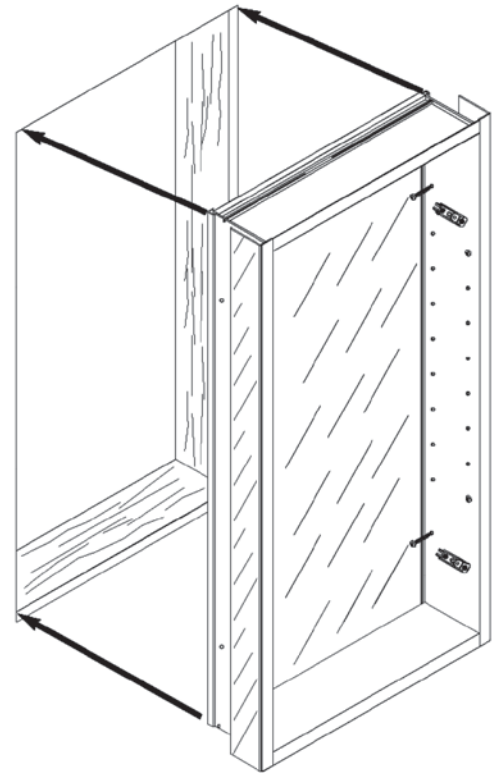


FIG 3

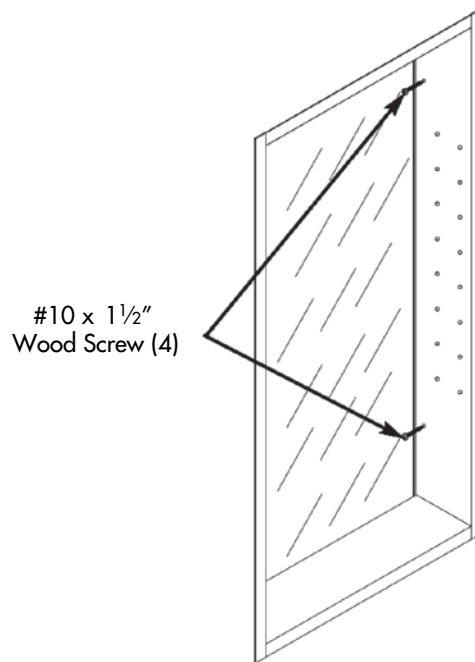
5. Make sure hinges are on correct side of opening for left hand or right hand operation. Place cabinet box into rough opening. On fully recessed applications, make sure cabinet flange covers rough opening evenly all around (Fig 4). On semi-recess applications, mirror edges should meet wall surface. (Fig 5). Shim as needed.
6. Insert four (4) #10 x 1½" wood screws into four locations provided for recessed installation (Fig 6). Be careful not to overtighten. Make sure cabinet is centered in rough opening.



**FIG 4**



**FIG 5**



**FIG 6**

# Surface Mount Medicine Cabinet Installation

If installing in conjunction with a center mirror/shelf kit, please see "Center Mirror/Shelf Kit Installation" instructions that came with your center mirror prior to performing the steps below

1. Determine correct height and draw a level horizontal line (Fig 7).  
**IMPORTANT:** Locate medicine cabinet at correct height. Make sure there is at least 1" of clearance above any obstructions.  
**NOTE:** If connecting cabinets, preform "Cabinet Connector Installation" instructions on page 9 prior to step 2.
2. Determine hole location on mounting bracket and drill  $\frac{7}{32}$ " holes in at least two locations on bracket (Fig 8).
3. Place bottom of wall bracket on horizontal line and at correct position left to right and mark holes on wall (Fig 9).

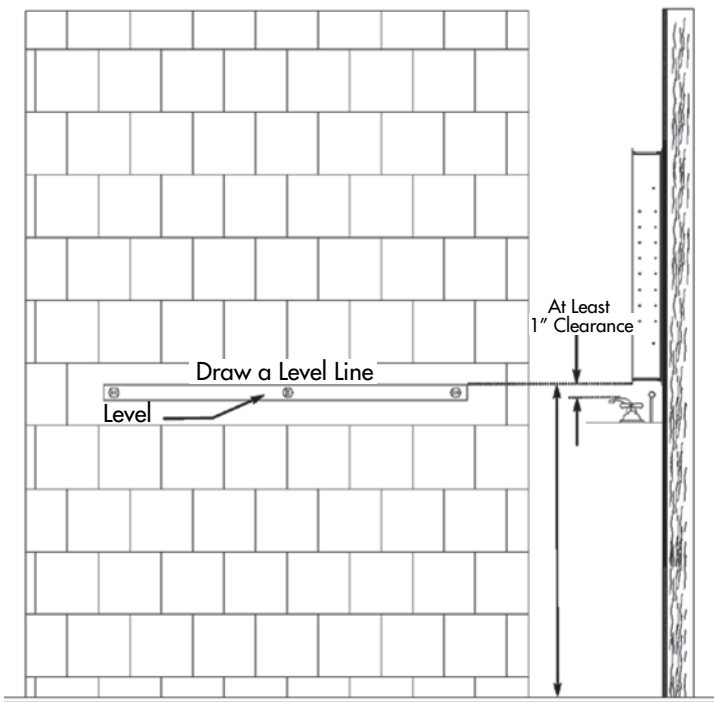


FIG 7



FIG 8

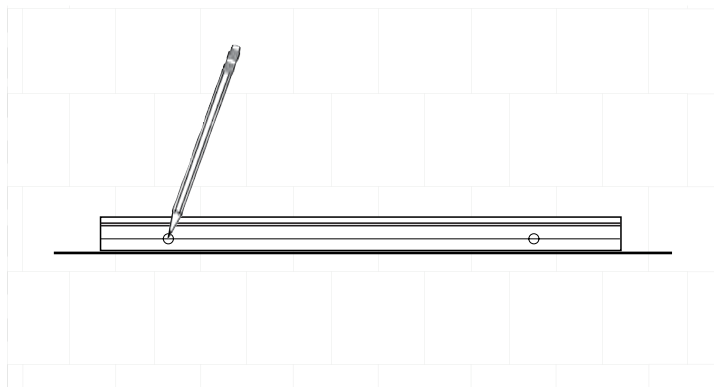


FIG 9

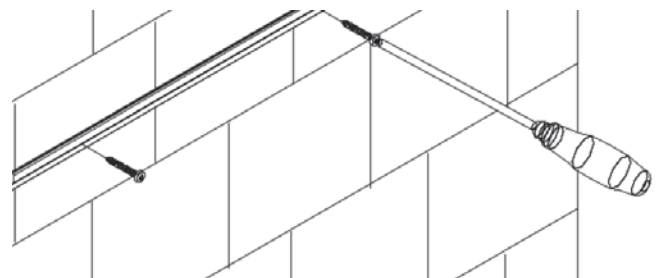


FIG 10

4. Drill 8 mm hole if required for wall anchor and place wall anchor in hole.
5. Mount wall bracket with #10 x 1½" wood screws. (Fig 10).
6. Insert surface mount z-clips as shown (Fig 11 & 12).
7. Place cabinet onto wall bracket (Fig 13). Mark hole locations of z-clips (Fig 14). When determining location, it is recommended that at least one z-clip be located at a stud.
8. Remove cabinet and drill 8mm hole if needed for anchor, and insert anchor in hole.
9. Remount cabinet and attach with #10 x 1½" wood screws (Fig 15). Be careful not to damage or scratch the top flange.

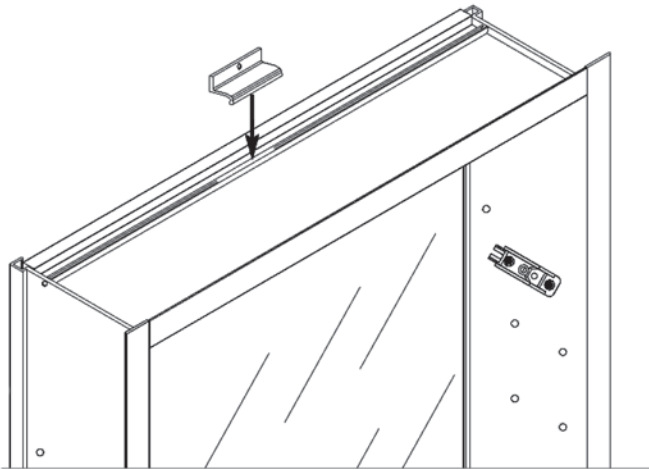


FIG 11

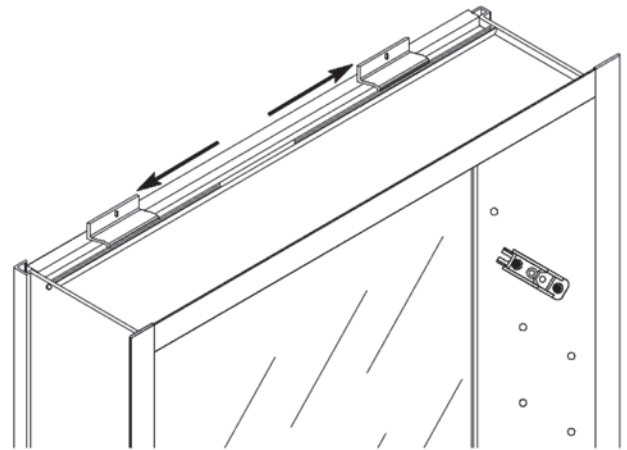


FIG 12

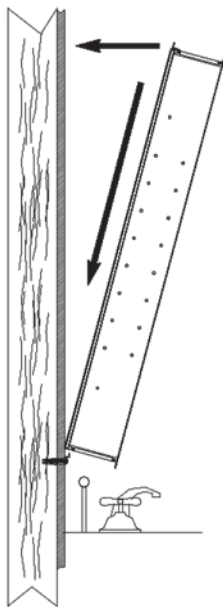


FIG 13

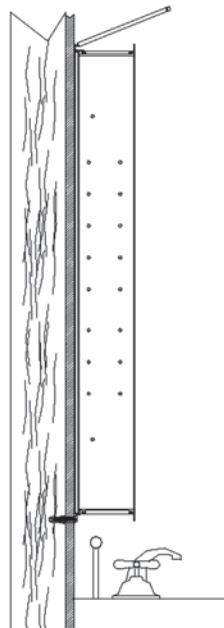


FIG 14

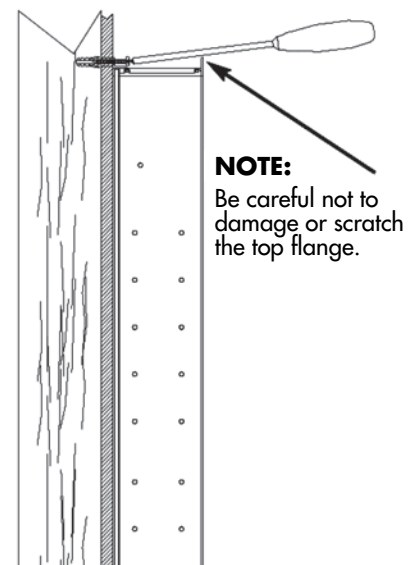


FIG 15

10. Using #10-32 x 1/2" machine screws, attach side kit mounting brackets (Fig 16)
11. **IMPORTANT:** Thoroughly clean back of side kit mirror with alcohol pad.
12. Place 2" x 2" foam pads 1" from each end of mirror strip (Fig 16).
13. Peel tape off brackets and place mirrored side kit as shown (Fig 16). Mirror should be even with front of cabinet flange and flush with the top and bottom of the cabinet. Repeat for opposite side.

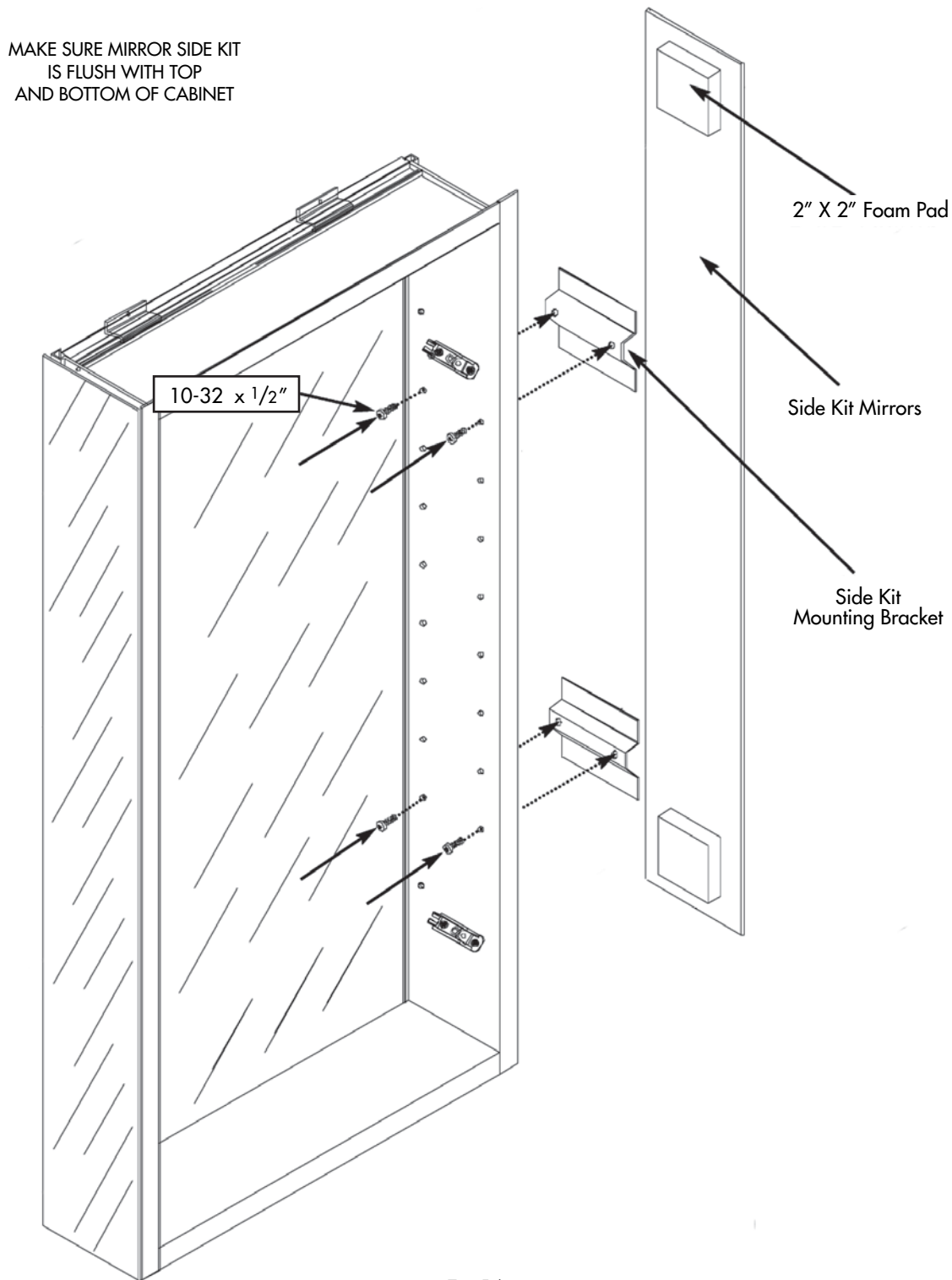


FIG 16

# Door Installation

1. Remove protective packaging from door being careful not to bump edges of mirror.
2. Line hinges up against hinge mounting plates. Snap into position (Fig 17).

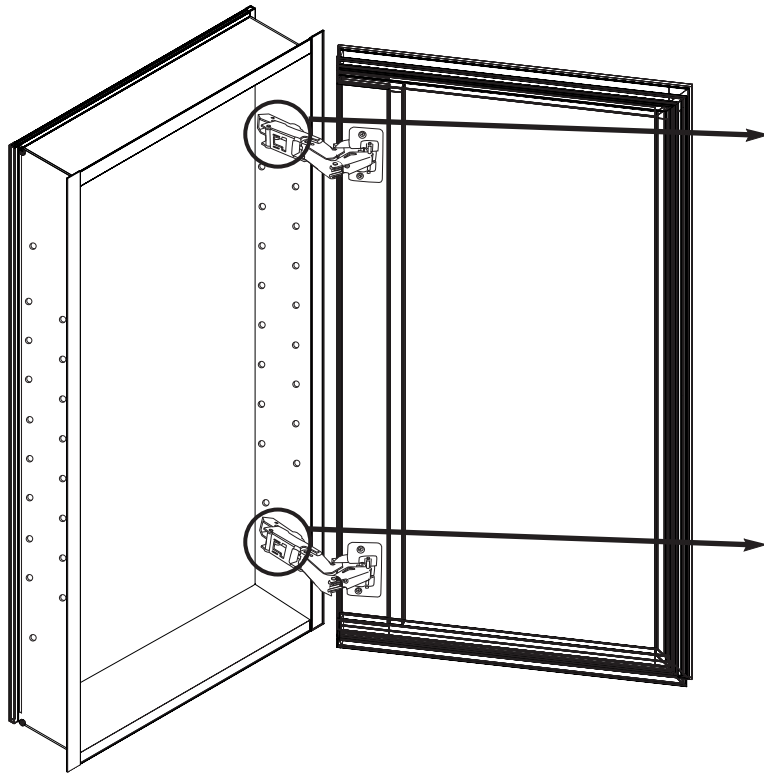
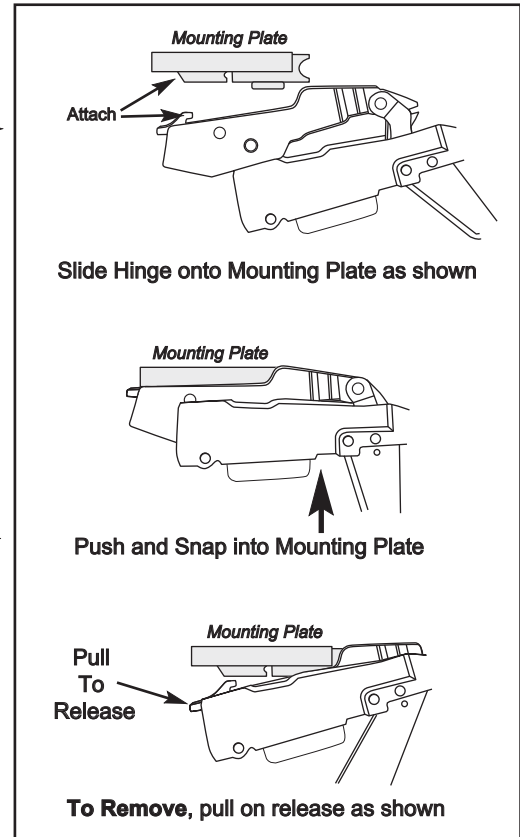


FIG 17



# Hinge Adjustment

1. Door should "snap" shut when approximately 1" from being fully closed. Door should sit even in relation to cabinet.
2. If adjustment is needed, remove cover cap and adjust according to Fig 18 below. Replace cover cap when finished.

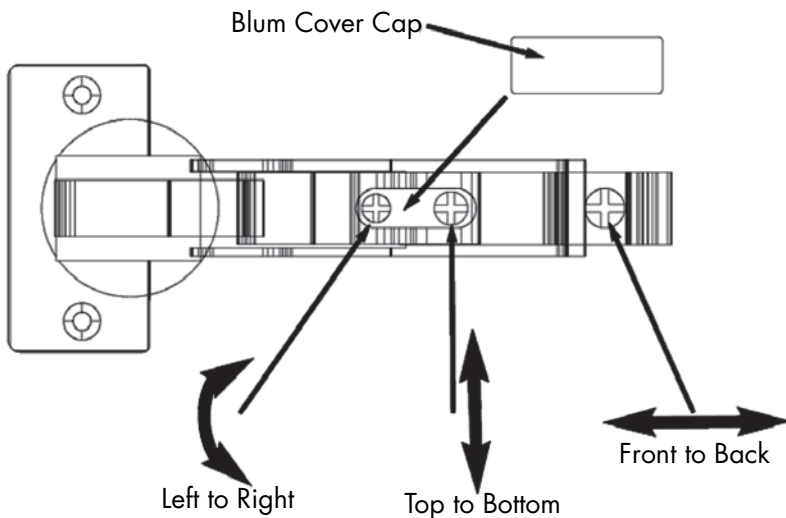
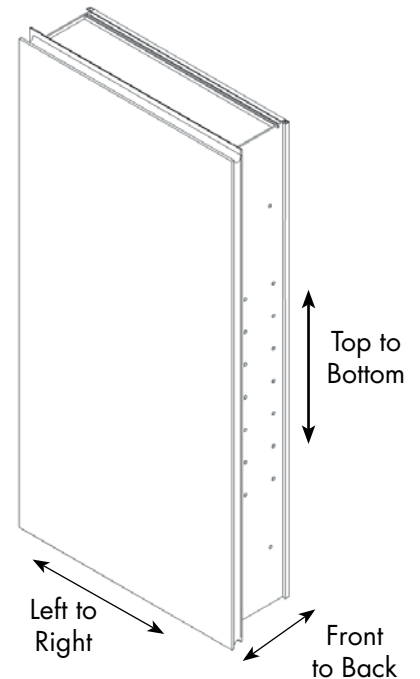


FIG 18

7





# Additional Item Installation

1. After door and cabinet are installed, install name plates by peeling protective plastic from door and back of nameplate, then placing nameplate in proper location (Fig 19)
2. If required, place 130° limit clips on hinges as shown and snap into place (Fig 20)
3. Decide appropriate location for glass shelves.
4. Place shelf clip stick tab on each clear shelf clip (Fig 21), then peel off tab so only sticker remains on clip.
5. Insert clear shelf clips into appropriate hole locations using 4 clips per shelf
6. Place glass shelf on top of clear shelf clips making sure shelf is against back of cabinet. Press lightly to adhere to shelf clip sticker (Fig 22).
7. Fill remaining holes with hole plugs.
8. Cover screw heads with screw head cover caps if needed

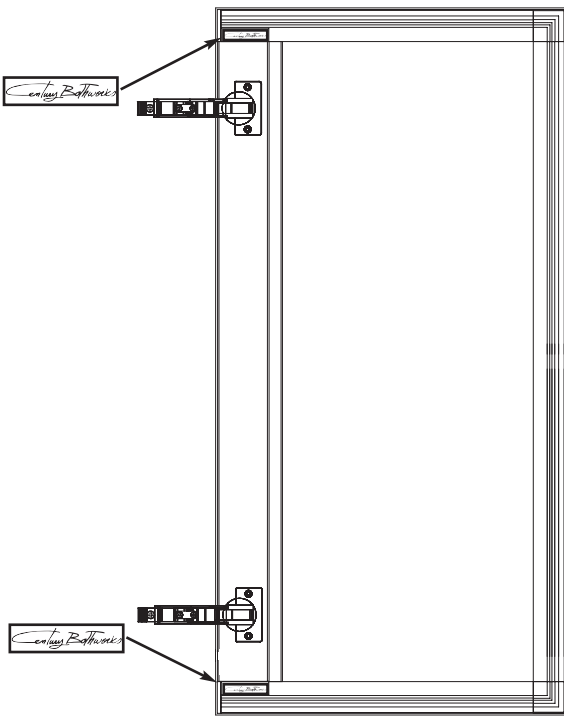


FIG 19

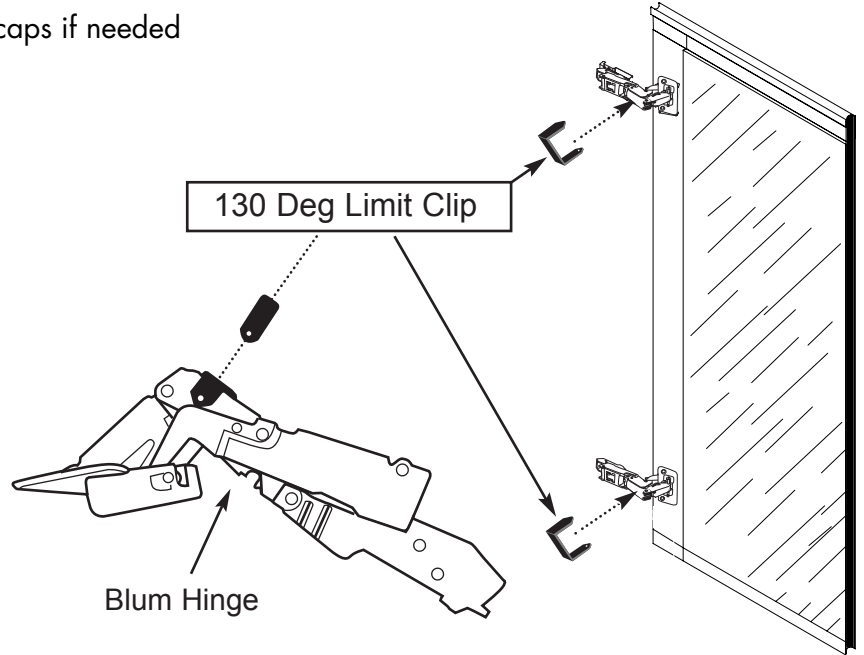


FIG 20

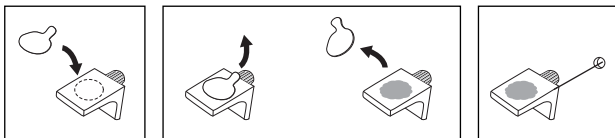


FIG 21

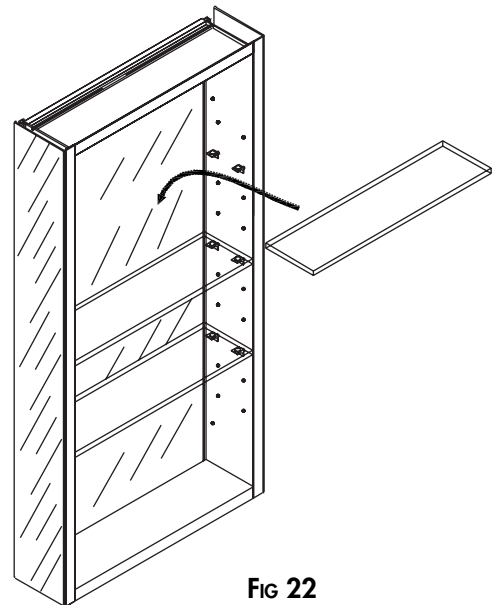
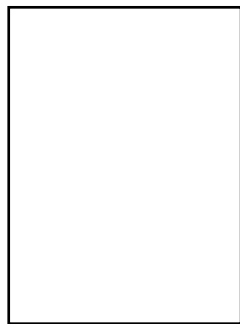
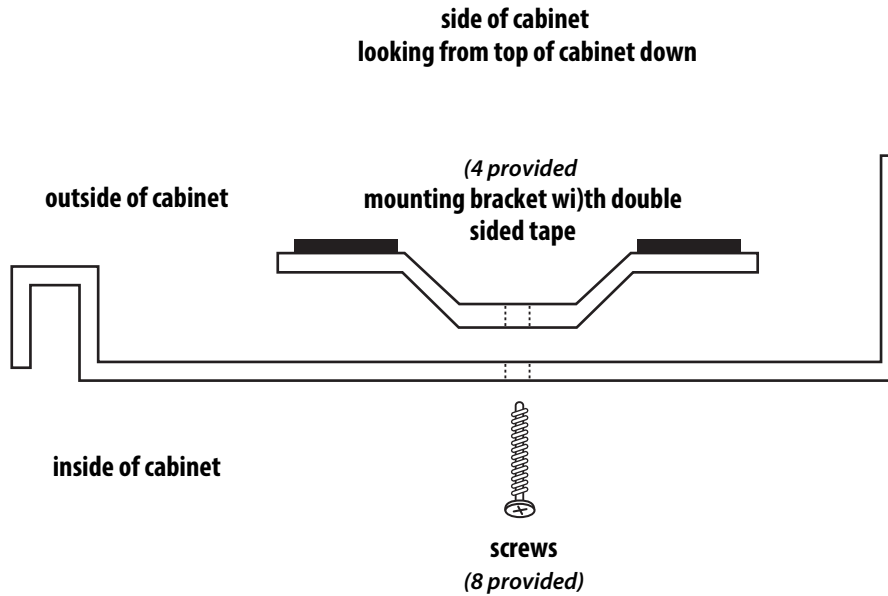


FIG 22

# Installation instructions for side kit



adhesive backed  
cushion pad  
(4 provided)

- 1) Determine location of shelves inside cabinet
- 2) Use remaining holes in side of cabinet to mount the mounting brackets for the side kits
- 3) There are 4 mounting brackets for each complete side kit.
- 4) Two brackets are used to mount each mirror to the side of the cabinet. One bracket mounts toward the top of the cabinet on each side, and one bracket mounts toward the bottom of the cabinet on each side.
- 5) Use the screws provided with the side kit to mount the brackets to the cabinet on the outside of the cabinet.
- 6) Clean the non reflective side of the mirror with the alcohol pad provided.
- 7) Attach the cushion pads to the mirror by peeling off the adhesive cover and stick them on the mirror near the top and bottom of the mirror. These pads are NOT used for mounting the mirror to the cabinet, they are only used to steady the mirror once it is mounted on the mounting bracket.
- 8) Peel the protective covering off the doubled sided tape on the mounting brackets and mount Mirrors to the sides of the cabinet.

FIG 23

**NOTE: DO NOT USE THE CUSHION PAD TO MOUNT THE MIRRORS TO THE CABINET. THESE PADS WILL NOT SUPPORT THE MIRRORS ON THE SIDE OF THE CABINET. THE MOUNTING BRACKETS MUST BE USED TO HOLD THE MIRRORS ON THE SIDE OF THE CABINET.**

# Side Kit Installation

Using 10-32 x 1/2" machine screws, attach *Side Kit Mounting Bracket*. Clean back of *Side Kit Mirror* with alcohol pad then place the foam pads. Peel tape off Brackets and place *Mirrored Side Kit* as shown. Repeat process for opposite side.

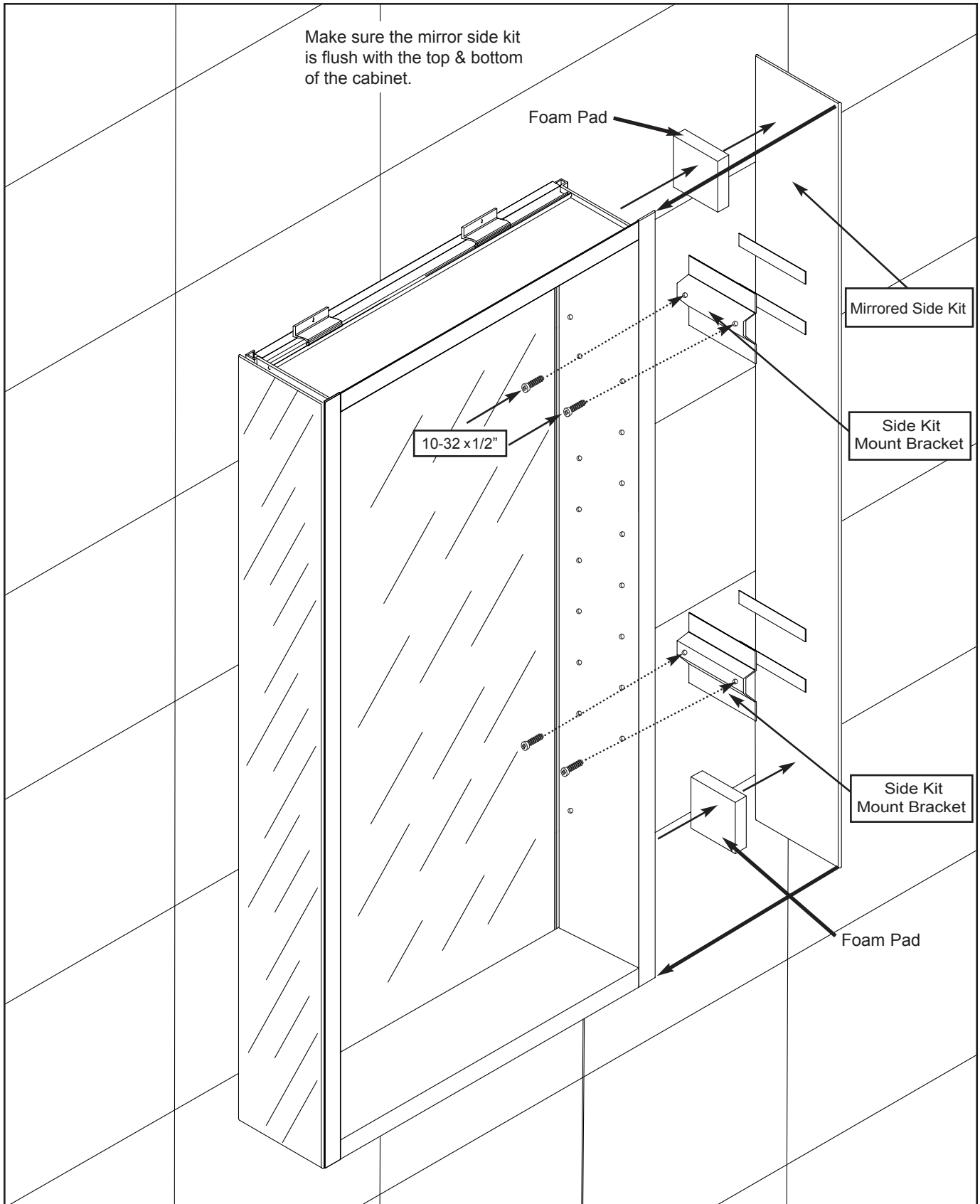


FIG 24

# Cabinet Connector Installation

Use ONLY when connecting two or more cabinets.

1. Connect cabinets together using cabinet connectors and #10-32 x 1/2" machine connector screws (Fig 23).
2. If connecting more than two cabinets together and you are recessing them, it is recommended that at approximately the center of the combined cabinets that you drill a #7 hole inside the top of the cabinet and secure with a #10 x 1 1/2" wood screw (Fig 24 & 25)

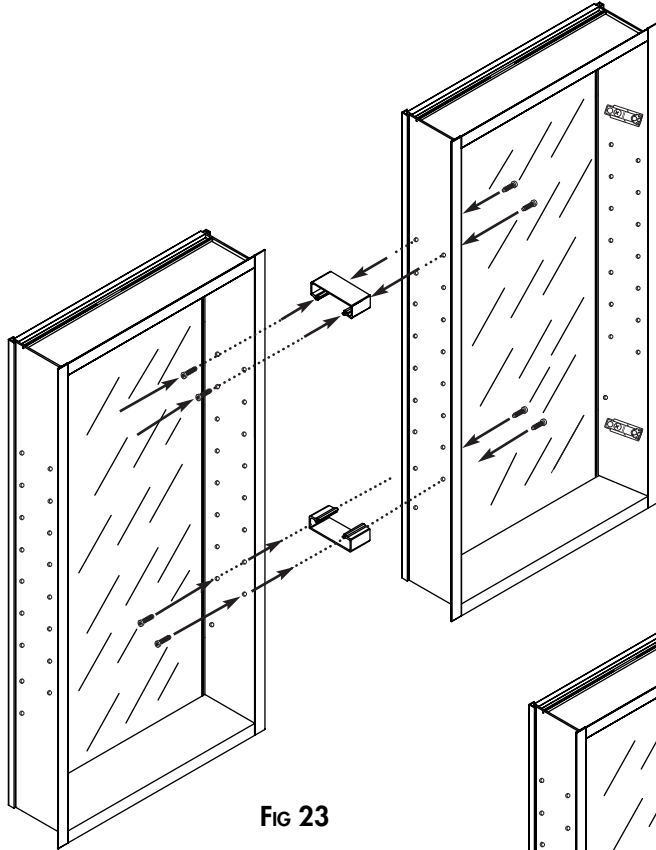


FIG 23

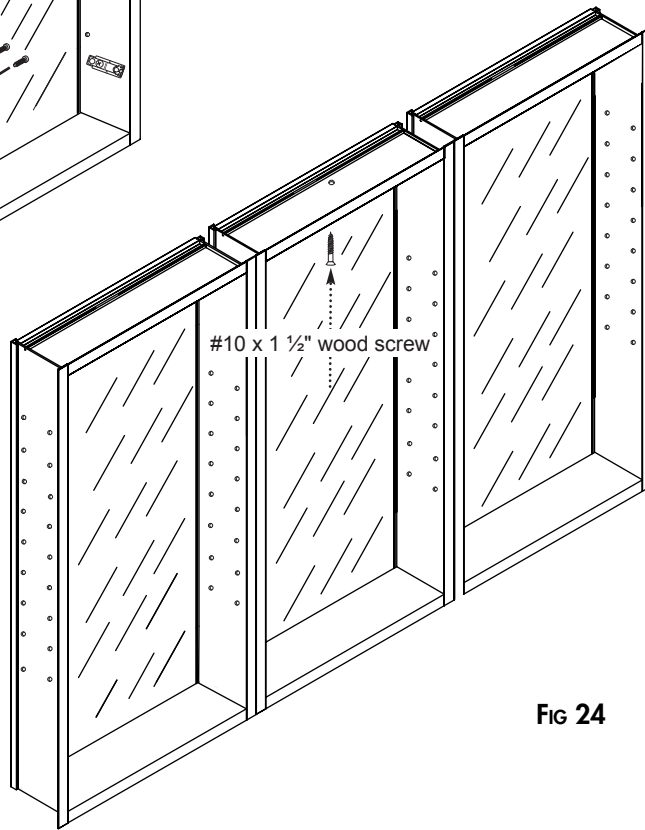


FIG 24

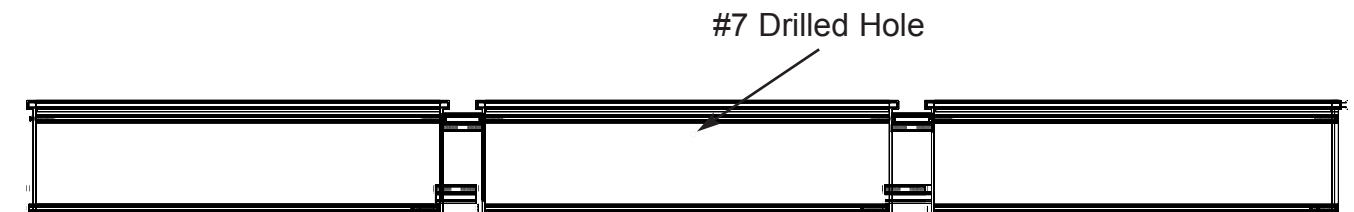


FIG 25

**PARTS LIST - 24" HIGH CABINETS**

Cabinet  
 Door  
 Glass Shelf 5/16" Thick (2)  
 Mounting Bracket (for surface mount)  
 Surface Mount Top Z-Clip (2)  
 Hole Plug (20)  
 Clear Shelf Clip (8)  
 Screw Head Cover Cap (8)  
 Wood Screws #10 x 1 1/2" (4)  
 Plastic Wall Anchor (4)  
 Cabinet Connector (2)  
 #10-32x1/2" Machine Connector Screw (8)  
 Name Plate (2)  
 130° Limit Clip (2)  
 Shelf Clip Stick Tab (8)

**PARTS LIST - 30" HIGH CABINETS**

Cabinet  
 Door  
 Glass Shelf 5/16" Thick (3)  
 Mounting Bracket (for surface mount)  
 Surface Mount Top Z-Clip (2)  
 Hole Plug (32)  
 Clear Shelf Clip (12)  
 Screw Head Cover Cap (8)  
 Wood Screws #10 x 1 1/2" (4)  
 Plastic Wall Anchor (4)  
 Cabinet Connector (2)  
 #10-32x1/2" Machine Connector Screw (8)  
 Name Plate (2)  
 130° Limit Clip (2)  
 Shelf Clip Stick Tab (12)

**PARTS LIST - 40" HIGH CABINETS**

Cabinet  
 Door  
 Glass Shelf 5/16" Thick (4)  
 Mounting Bracket (for surface mount)  
 Surface Mount Top Z-Clip (2)  
 Hole Plug (44)  
 Clear Shelf Clip (16)  
 Screw Head Cover Cap (8)  
 Wood Screws #10 x 1 1/2" (4)  
 Plastic Wall Anchor (4)  
 Cabinet Connector (2)  
 #10-32x1/2" Machine Connector Screw (8)  
 Name Plate (2)  
 130° Limit Clip (3)  
 Shelf Clip Stick Tab (16)



## Care and Cleaning

Ammonia or vinegar-based cleaners can damage mirrors and should never be used to clean any part of your cabinets. A 50/50 solution of water and isopropyl alcohol is recommended for cleaning the mirrors. A mild detergent can be used on other surfaces.

## Limited One Year Warranty

Century warranties our Medicine Cabinets to be free of defects in workmanship for a period of one (1) year. Liability on any claim of defective design and workmanship is limited to the replacement of defective material only. Century is not responsible for labor or other installation costs for the repair or replacement of defective merchandise.

Damage attributed to abuse, misuse, careless handling, alteration, improper installation or maintenance, abnormal chemical cleaning, abrasives, discoloration or stains due to improper water chemistry, or accidental damages are not covered by this warranty.