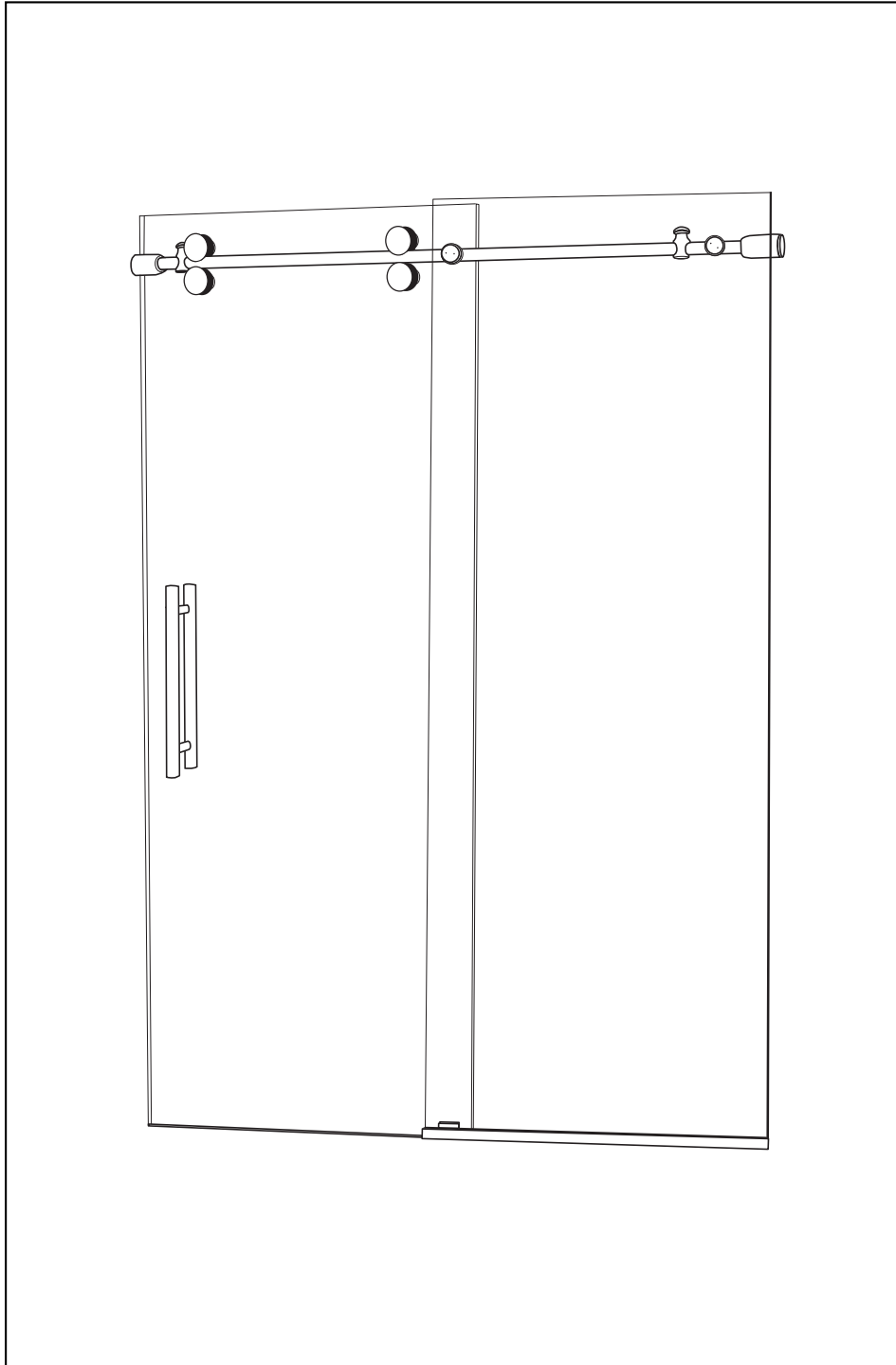
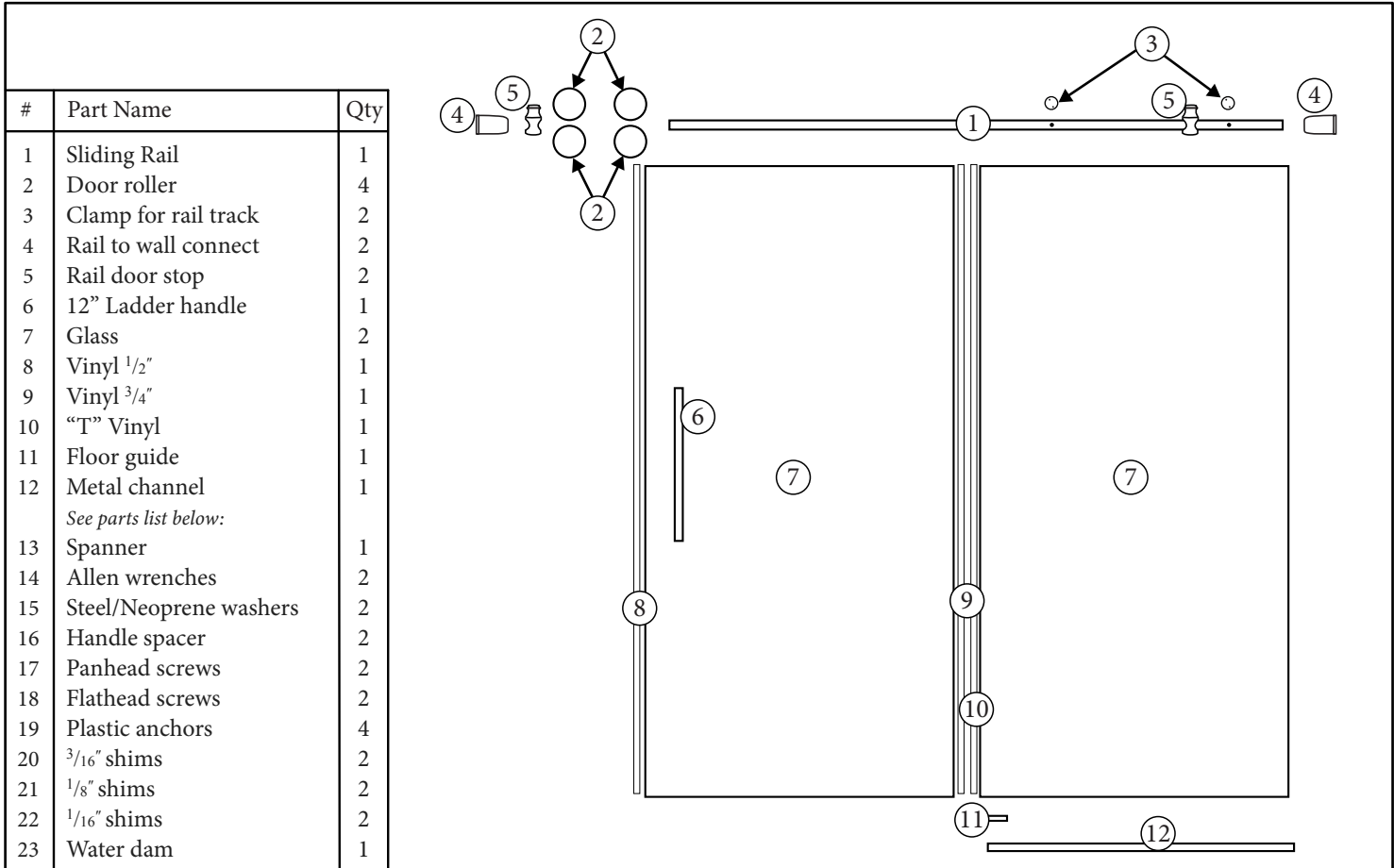


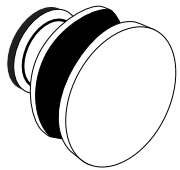
Glasstec Elite Installation Guide





#	Part Name	Qty
1	Sliding Rail	1
2	Door roller	4
3	Clamp for rail track	2
4	Rail to wall connect	2
5	Rail door stop	2
6	12" Ladder handle	1
7	Glass	2
8	Vinyl 1/2"	1
9	Vinyl 3/4"	1
10	"T" Vinyl	1
11	Floor guide	1
12	Metal channel	1
<i>See parts list below:</i>		
13	Spanner	1
14	Allen wrenches	2
15	Steel/Neoprene washers	2
16	Handle spacer	2
17	Panhead screws	2
18	Flathead screws	2
19	Plastic anchors	4
20	3/16" shims	2
21	1/8" shims	2
22	1/16" shims	2
23	Water dam	1

Parts List



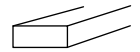
(x4) door roller



(x1) sliding rail 1" diameter



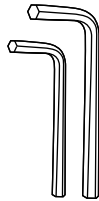
(x2) Rail to wall connect



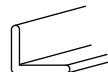
(x2) (3/16" shims)



(x2) clamp for rail track



(x1) allen wrenches



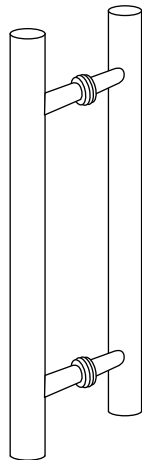
(x1) ("L" vinyl 1/2")



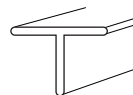
(x1) ("L" vinyl 3/4")



(x2) (1/8" shims)



(x1) 12" ladder handle



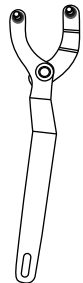
(x1) ("T" vinyl)



(x2) (1/16" shims)



(x2) rail door stop



(x1) spanner



(x2) 1/4" stainless steel / neoprene washers

(x2) 8 x 2" panhead screws



(x1) water dam 3/16" x 11/16"

(x2) 8 x 1 1/4" flathead screws



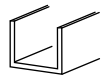
(x1) floor guide



(x2) handle spacer

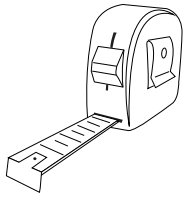


(x4) plastic anchors

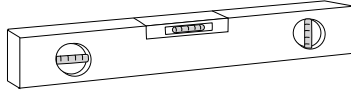


(x1) (3/4" x 5/8" x 3/4" metal channel)

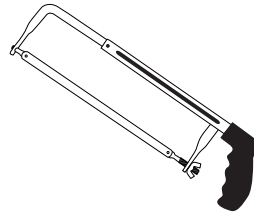
Tools required



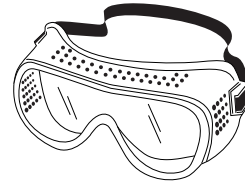
Tape Measure



Level



Hacksaw
(or chop-saw w/metal blade)



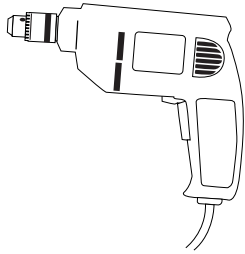
Safety glasses



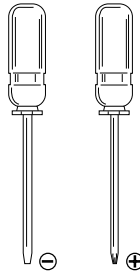
Pencil/Marker



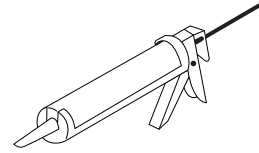
Drill bit
3/16" carbide masonry bit,



Drill



Flat and Phillips
head Screwdrivers



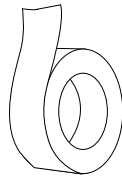
Caulk gun



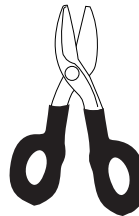
Piece of carpet/ padding



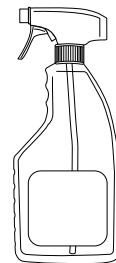
Rubber mallet



Masking tape



Scissors



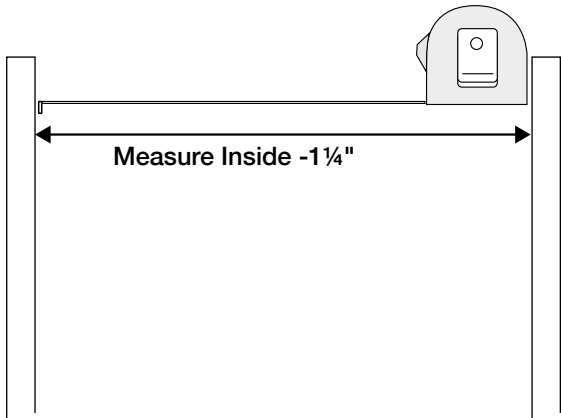
Glass cleaner



WARNINGS

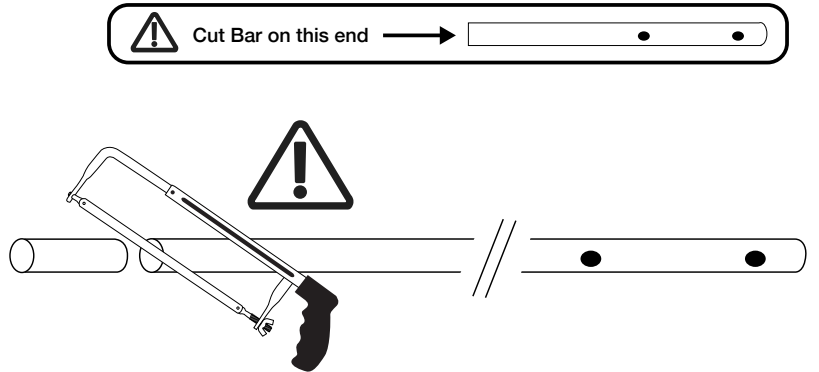
- **Before starting, please read instructions carefully and thoroughly; then proceed step by step.
- **Please wear safety glasses and safety gloves whenever drilling or cutting tile or handling metal/glass parts.
- **When drilling through tile, carefully break through glazed surface only with sharp tool and then drill slowly.
- **To insure complete customer satisfaction Century Bathworks recommends installation by a professional.
- **Risk of injury or product damage. Two people should perform this installation.
- **Please carefully unpack all parts for your unit as listed on previous page and also check that you have all the tools as listed above.
- **If any parts are missing or damaged, please contact Century Bathworks or your dealer for replacements.

1



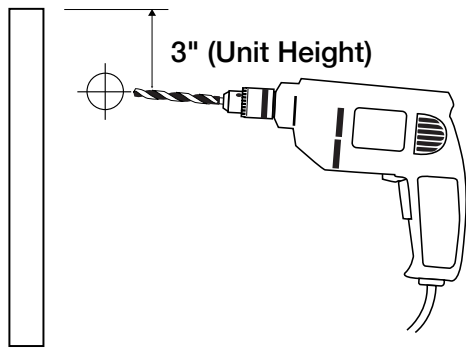
- Measure opening width, where header bar mounts to walls

2



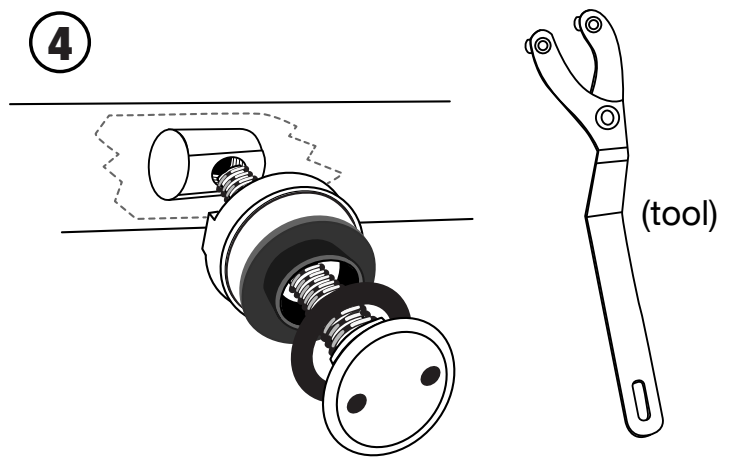
- Cut Bar 1/4" shorter than opening width.

3



- Measure down 3" from unit height ordered & drill mounting holes on each wall

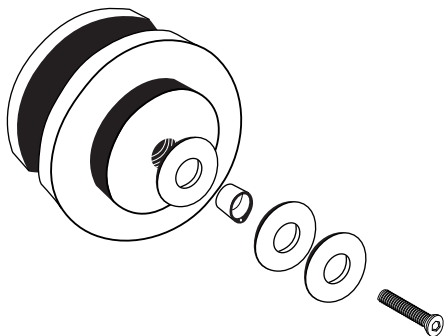
4



- Determine location of stationary panel. (Left or Right side)
Mount wall brackets on wall. Remove stationary panels screw caps with tool provided.

5

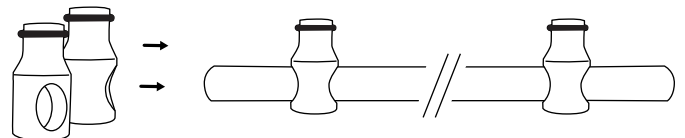
(x2)



- Assemble roller as shown.

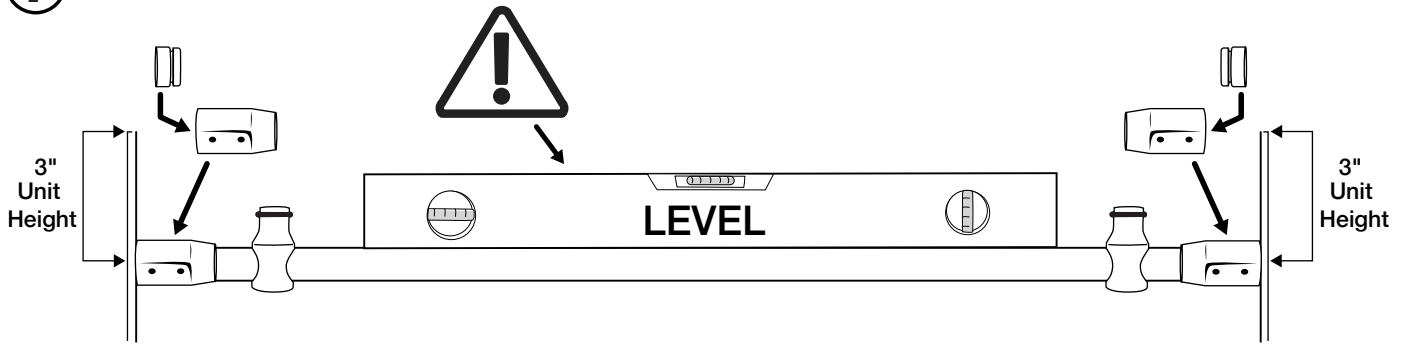
6

(x2)



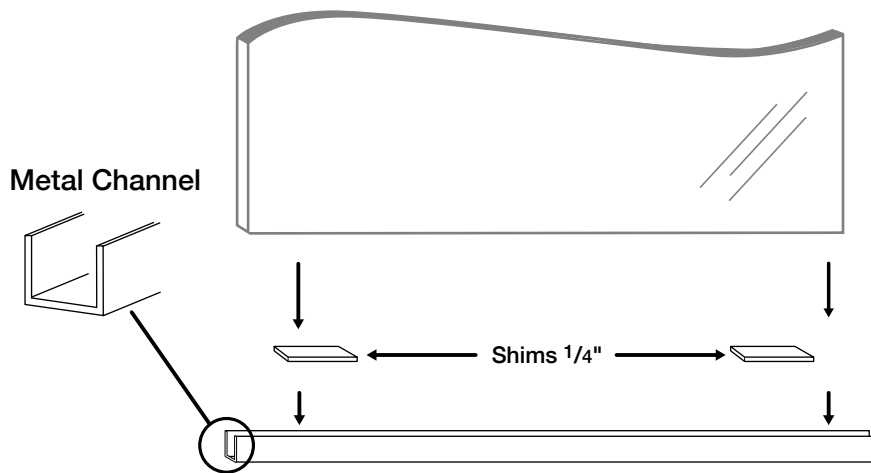
- Place bumper stops on bar, one on each end.

7



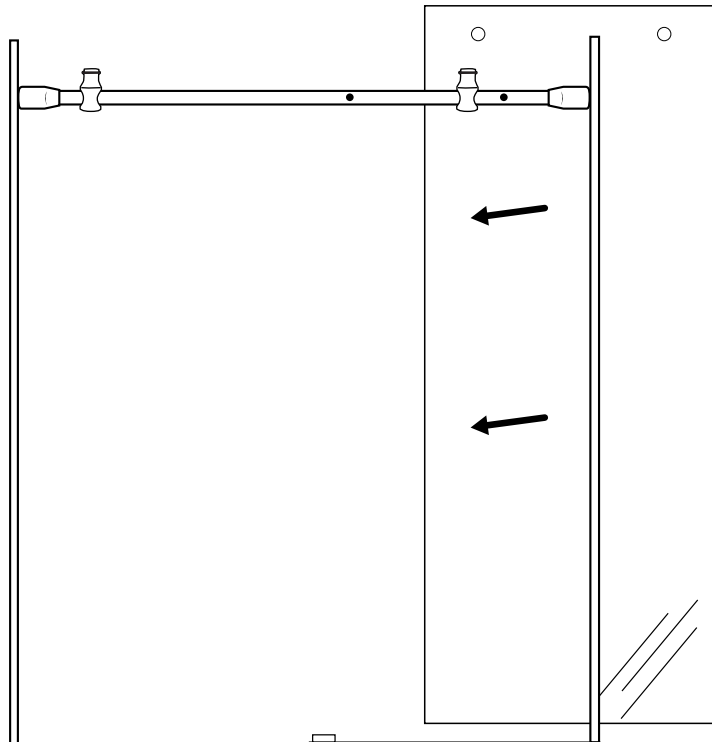
- Place wall mount collars on bar & lift bar into place. (Note: one of each end of bar) fastener collars to wall mount brackets on each side of opening. Make sure bar is level.

8



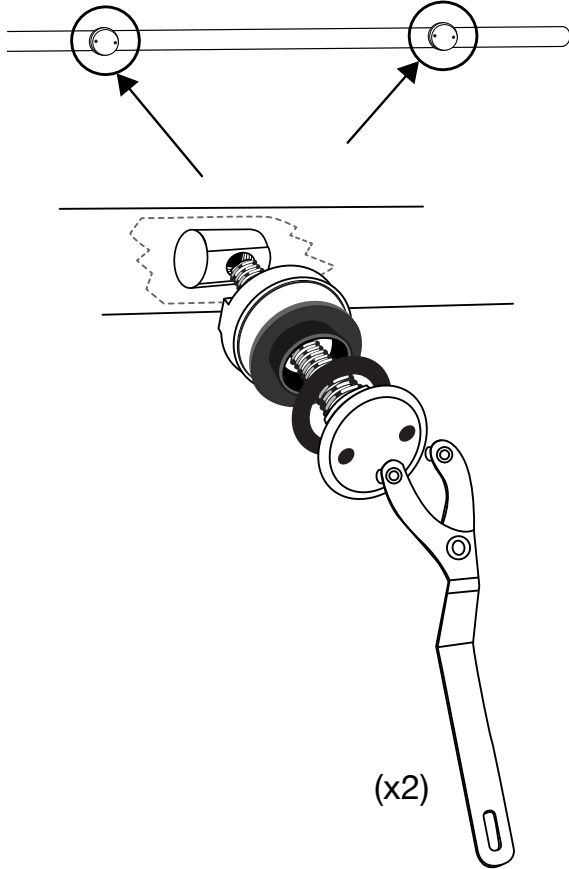
- Place base channel on base & fasten to base. Placing $\frac{1}{4}$ " shims in base of channel.

9



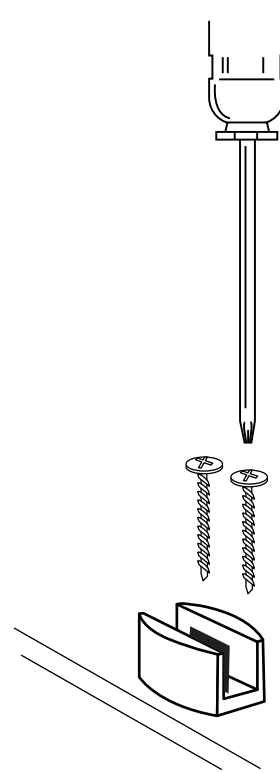
- Lift Stationary panel into position & place over mounting screws into base channel and onto bar & into bottom guide.

10



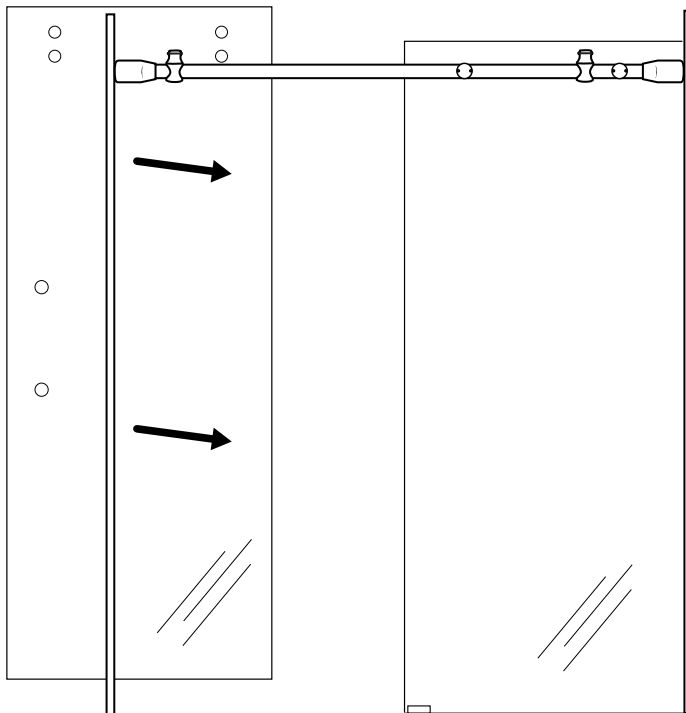
• Screw stationary panel screws caps back onto panel screws.

11



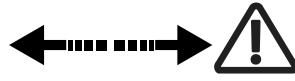
• Attach bottom guide for sliding door onto base.

12



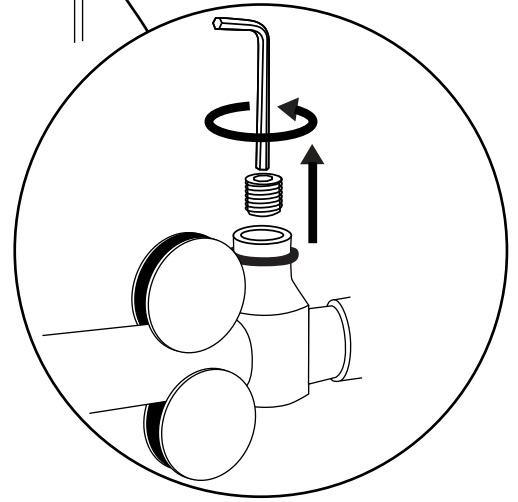
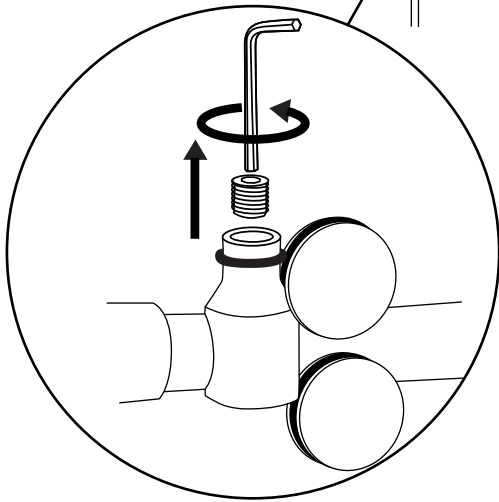
• Lift sliding door and attach top rollers onto door glass.

13 (x2)



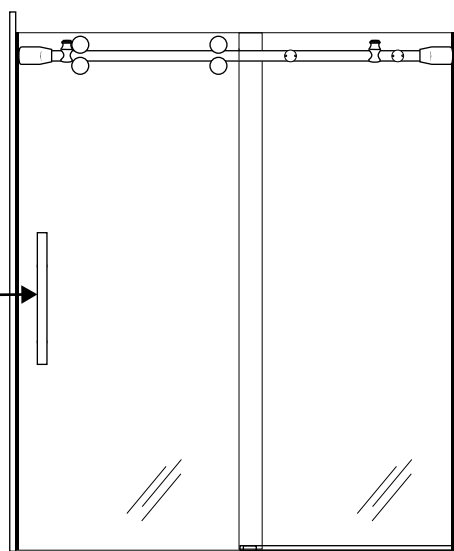
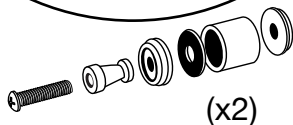
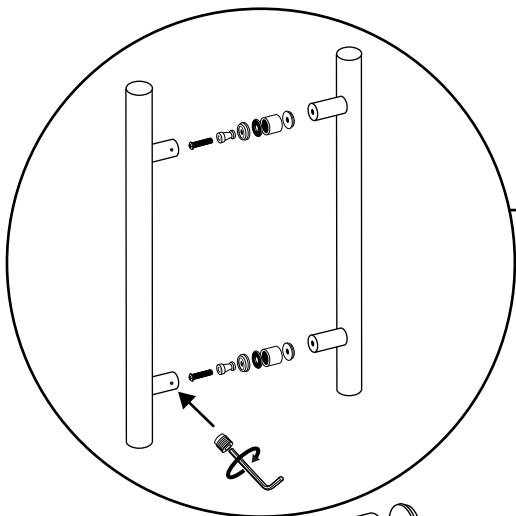
Bumper Adjust

Bumper Adjust



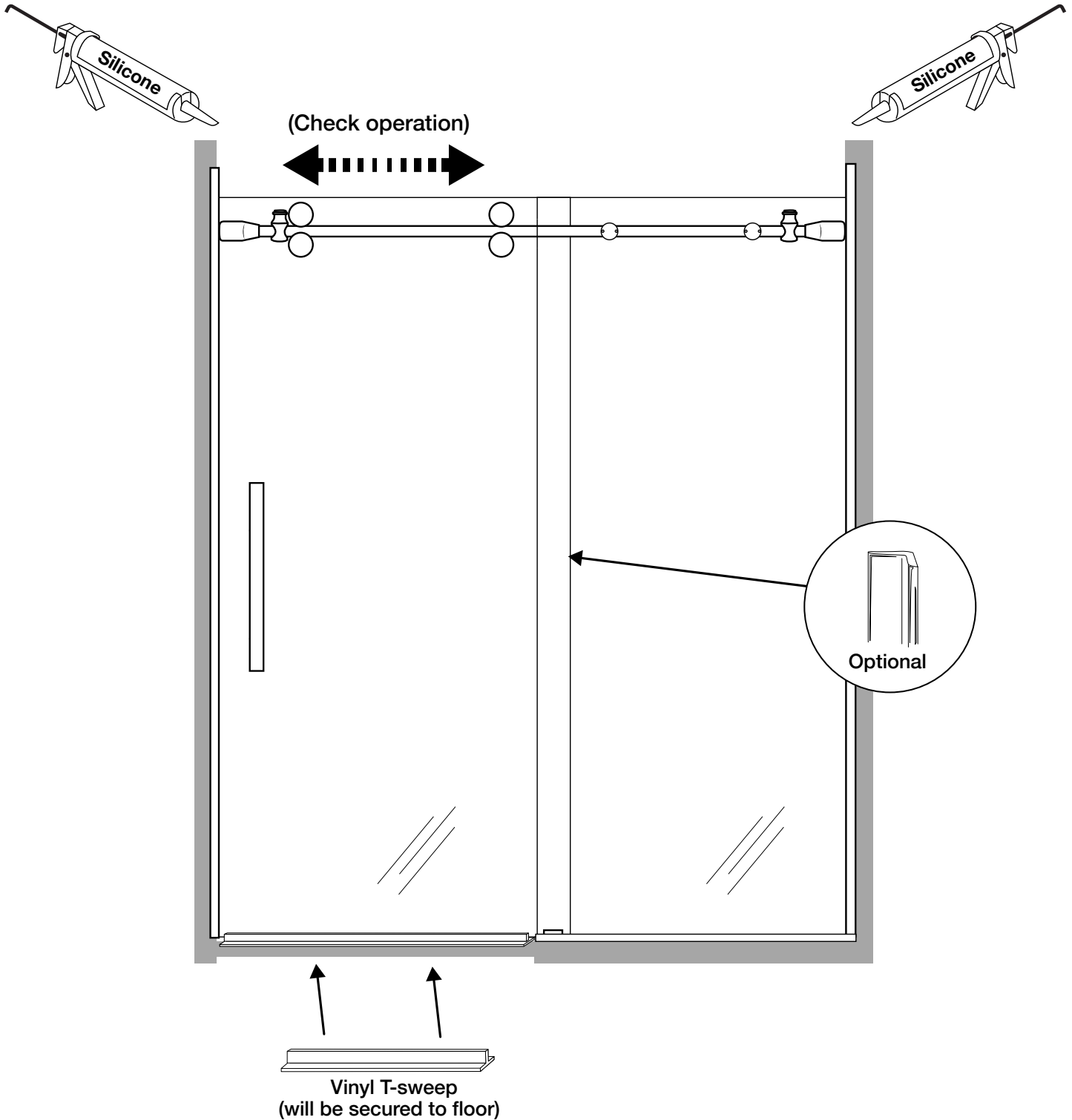
- Now attach lower rollers onto sliding door. Double check that the sliding door is operating smoothly. Make sure door doesn't roll on side of the other. Adjust bumper stop so door doesn't hit wall & so handle doesn't come in contact with edge of stationary panel glass.

14



- Attach handle to door. Attach L-vinyl to wall where sliding door closes against to prevent water leakage.

15



- Caulk entire unit. Optional: use T-vinyl to stop any water from escaping shower on base where door slides. Optional: use L-vinyl on edge of panel glass to keep water from escaping between the sliding door & panel. Optional: use L-vinyl on wall where closes to prevent water leakage. Check and confirm smooth operation of door.