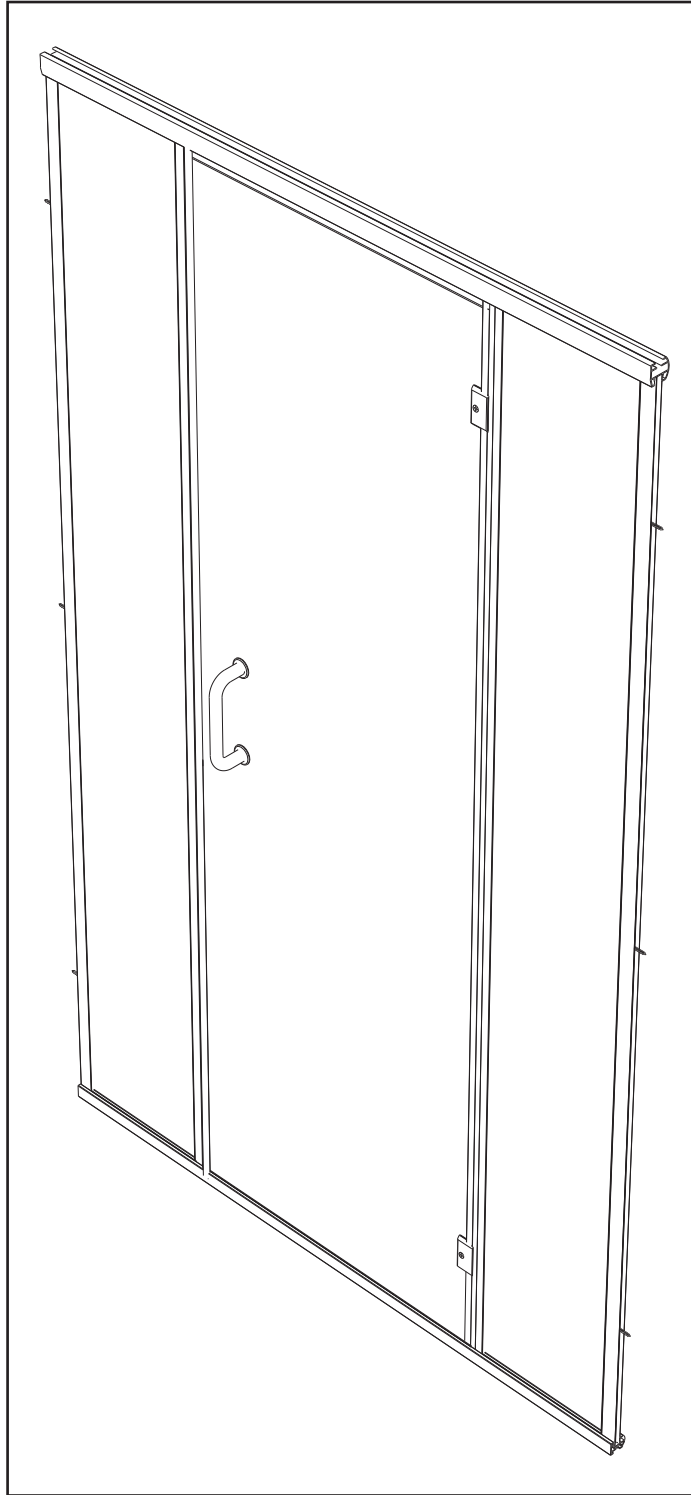
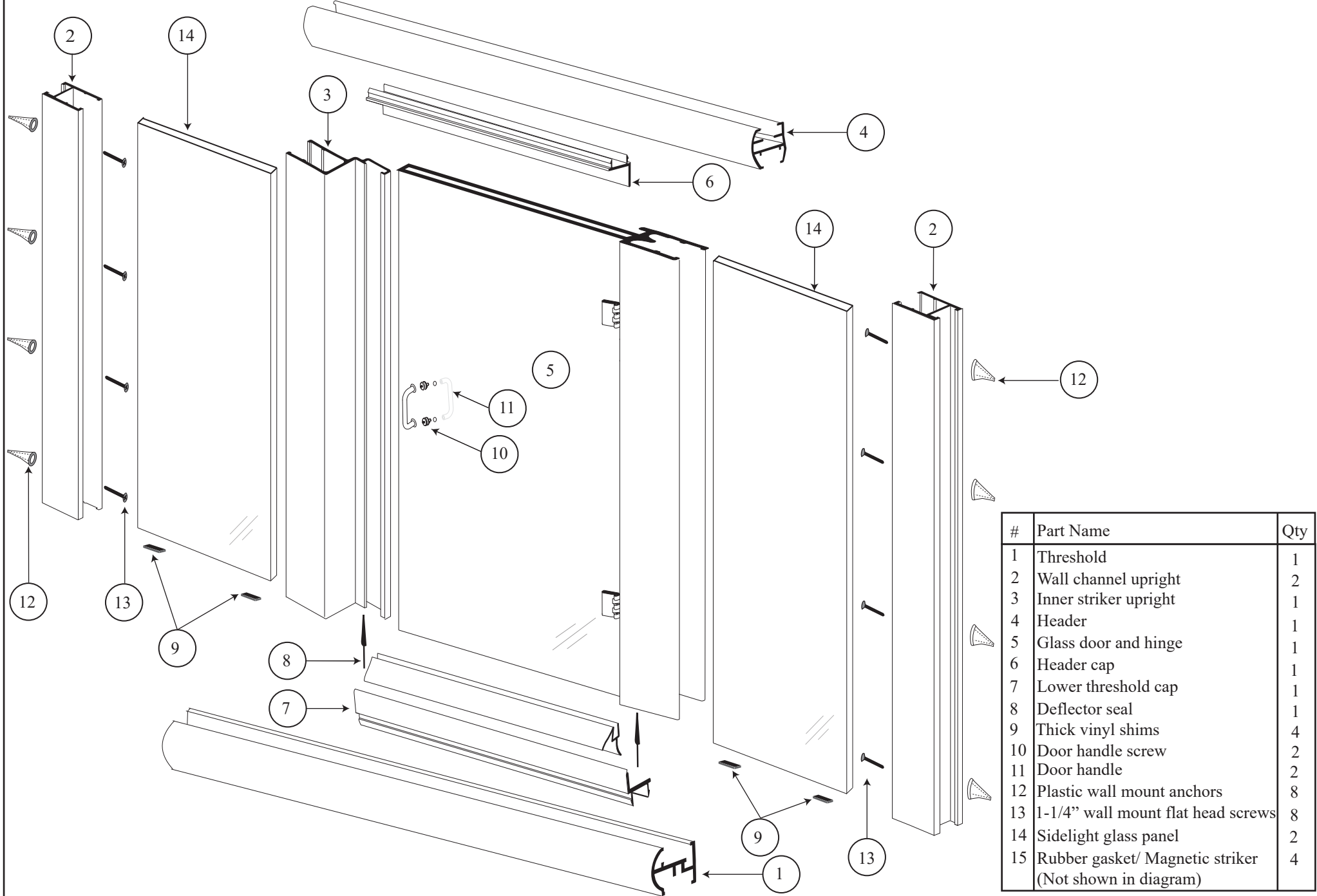


CHX-1628
Centec Hinged Framless Door
Instruction Manual

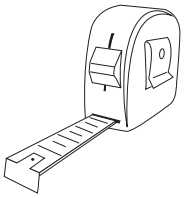


Detailed diagram of CHX-1628 components

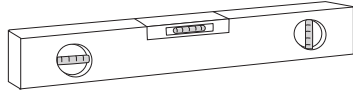


#	Part Name	Qty
1	Threshold	1
2	Wall channel upright	2
3	Inner striker upright	1
4	Header	1
5	Glass door and hinge	1
6	Header cap	1
7	Lower threshold cap	1
8	Deflector seal	1
9	Thick vinyl shims	4
10	Door handle screw	2
11	Door handle	2
12	Plastic wall mount anchors	8
13	1-1/4" wall mount flat head screws	8
14	Sidelight glass panel	2
15	Rubber gasket/ Magnetic striker (Not shown in diagram)	4

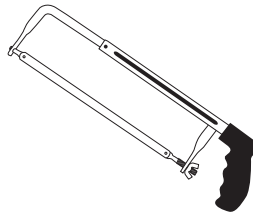
Tools required



Tape Measure



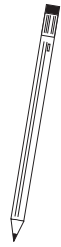
Level



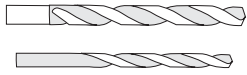
Hacksaw
(or chop-saw w/metal blade)



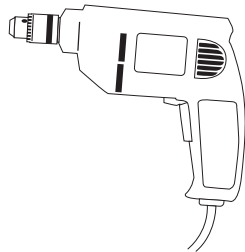
Safety glasses



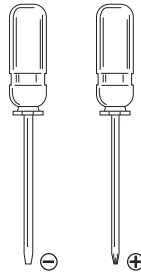
Pencil/Marker



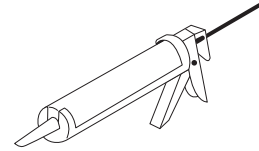
Drill bits (2) (#32 metal bit,
3/16" carbide masonry bit,



Drill



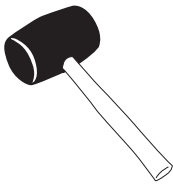
Flat and Phillips
head Screwdrivers



Caulk gun



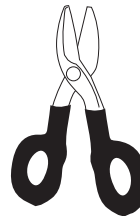
Piece of carpet/ padding



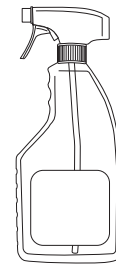
Rubber mallet



Masking tape



Scissors



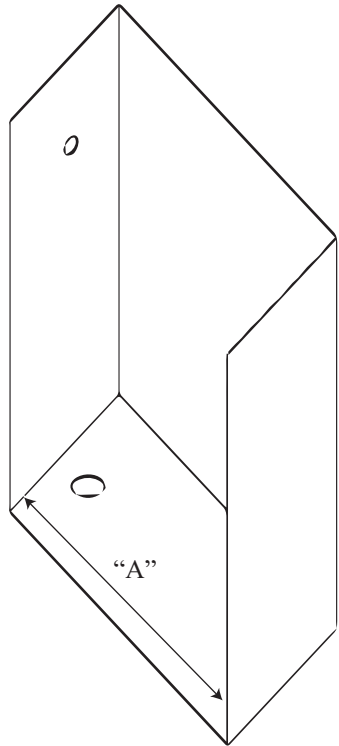
Glass cleaner



WARNINGS

- **Before starting, please read instructions carefully and thoroughly; then proceed step by step.
- **Please wear safety glasses and safety gloves whenever drilling or cutting tile or handling metal/glass parts.
- **When drilling through tile, carefully break through glazed surface only with sharp tool and then drill slowly.
- **Wall uprights must be installed level and plumb. Do not follow grout lines.
- **To insure complete customer satisfaction Century Bathworks recommends installation by a professional.
- **Risk of injury or product damage. Two people should perform this installation.
- **Do not cut the top and bottom track the same length for this installation.
- **Please carefully unpack all parts for your unit as listed on previous page and also check that you have all the tools as listed above.
- **If any parts are missing or damaged, please contact Century Bathworks or your dealer for replacements.

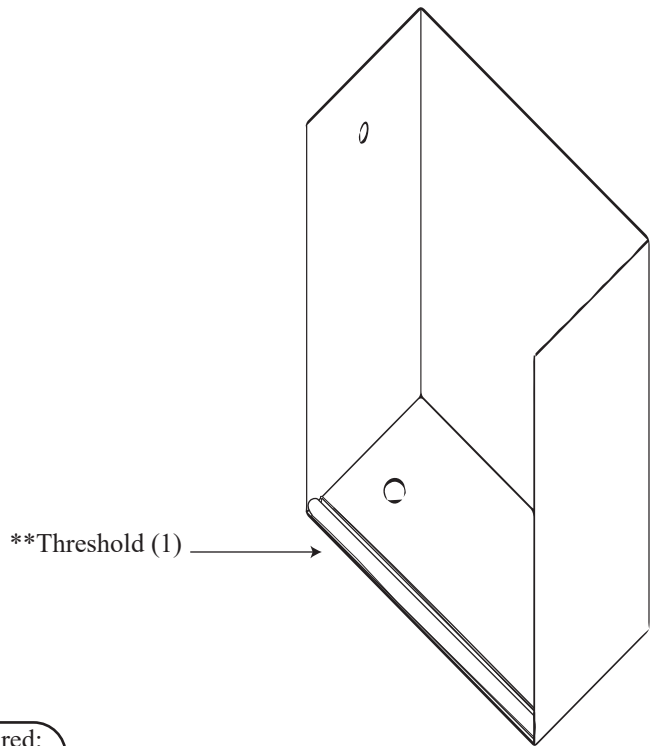
1



Required:
Tape measure

- Measure "A" and note distance between the walls at the base.

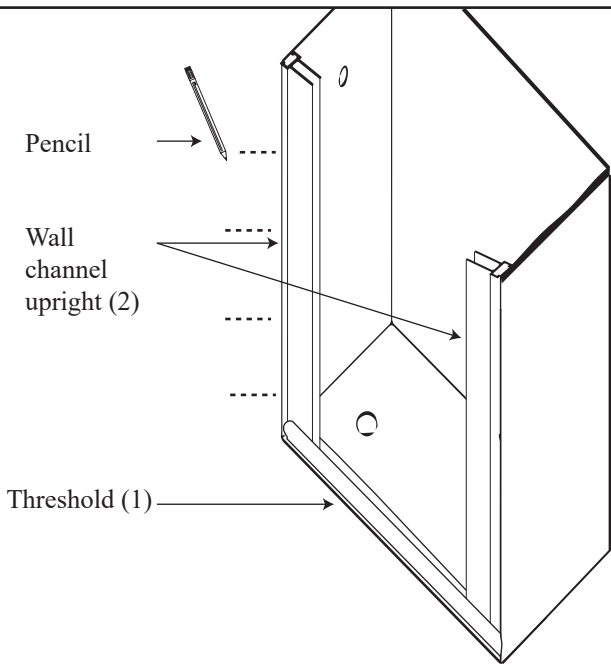
2



Required:
Hacksaw

- Consider the length "A" and cut the threshold accordingly.
- Place the threshold on the base as shown.
- ** Round side of threshold must face to the outside of shower.

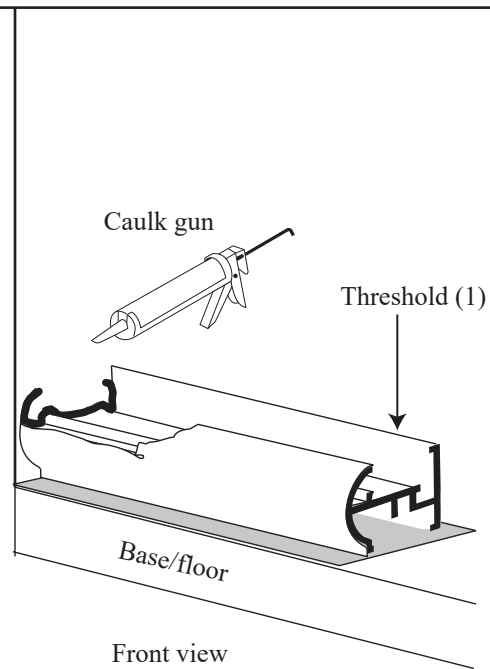
3



Required:
Pencil/marker, masking tape, 3/16" carbide masonry bit, drill, level

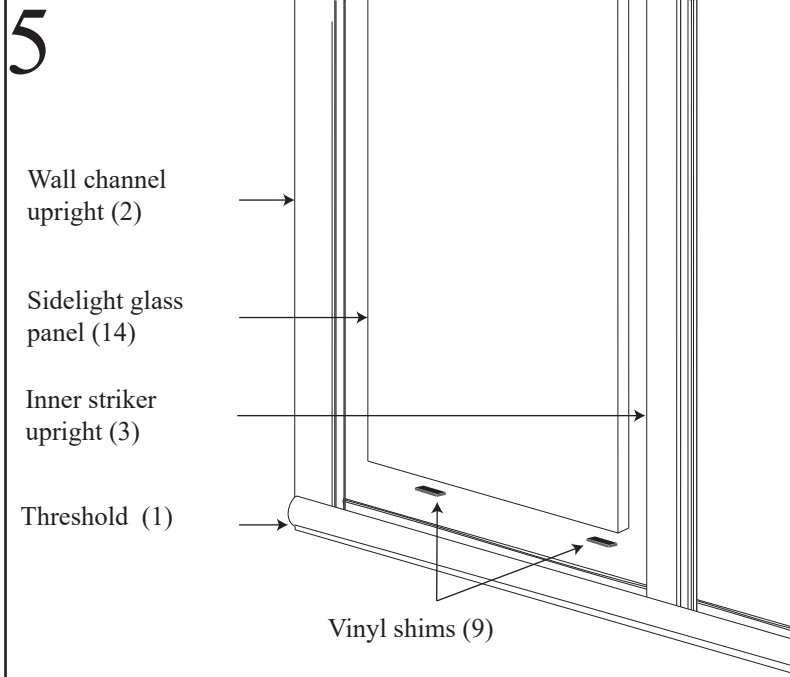
- Place the wall channel uprights on the threshold against wall.
- Hold in place with masking tape. Make sure it is level and plumb.
- Mark the holes on the wall using a pencil or marker.
- Remove the wall channel uprights and threshold.
- Drill holes with 3/16" carbide-tipped masonry bit.
- Insert plastic wall anchors. Remove all the wall debris.

4

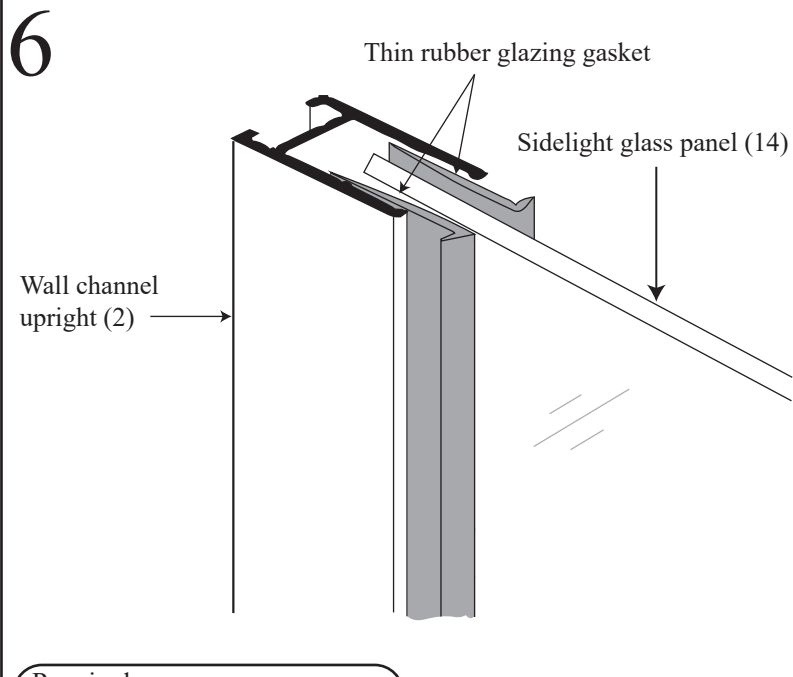


Required:
Caulking gun, drill/screwdriver

- Again, place the threshold on the base and caulk inside of threshold from the top at each wall and at all the joints.
- After the caulking is done, screw wall channel uprights to wall through predrilled holes with 1-1/4" flathead screws.
- **For this step, use 1-1/4" screws with small head to secure uprights.

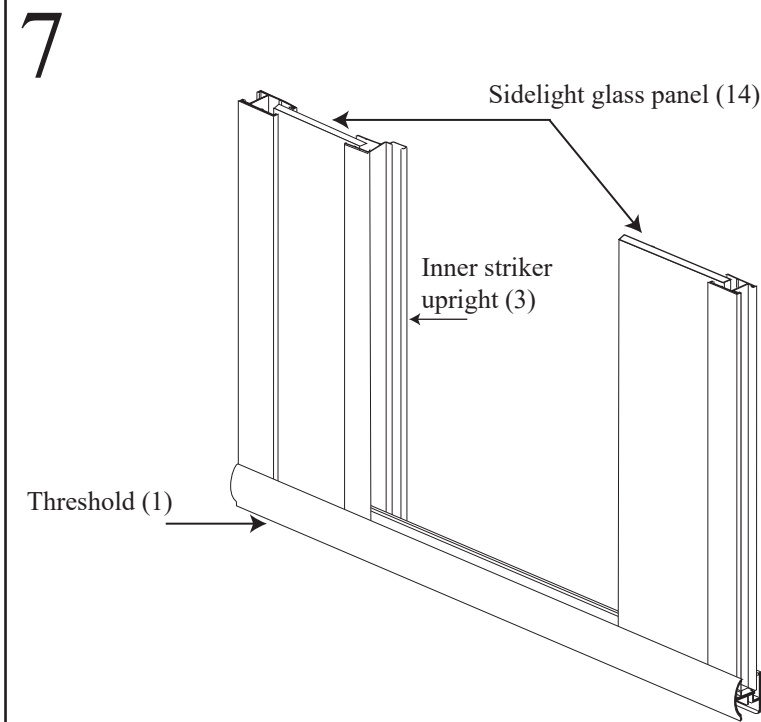


- Place vinyl shims completely inside threshold to cushion the bottom of the sidelight glass panel.
- Place sidelight glass panel on vinyl shims not more than halfway into wall channel upright and inner striker upright.



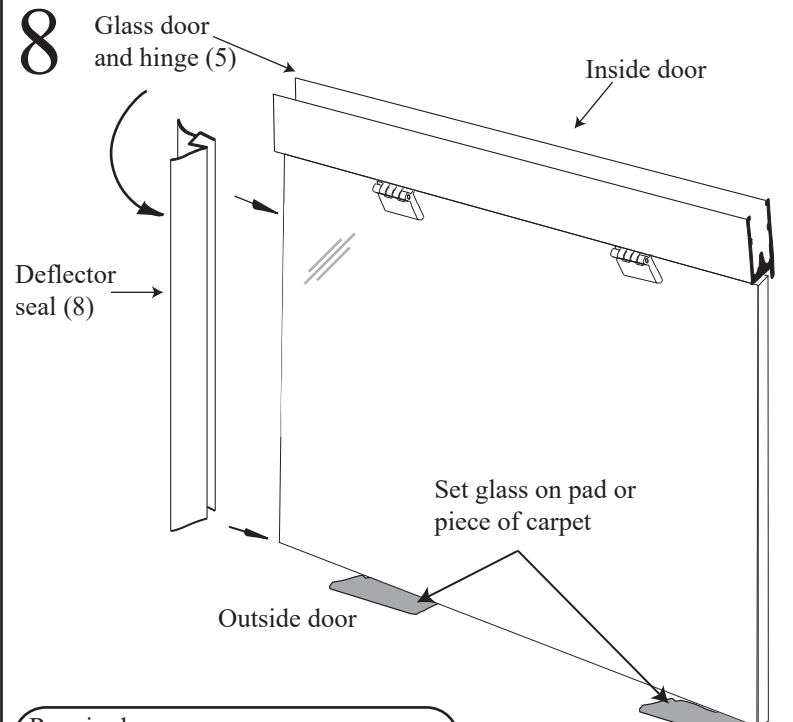
Required:
Glazing block or piece of wood

- Measure the thin rubber glazing gaskets for the vertical sides of the sidelight glass with a inch or two extra. From the top, insert between sidelight glass panel and inner striker upright/wall channel upright (inside and outside).
- Do not stretch rubber, leave long.
- Tap glazing gaskets with glazing block or piece of wood
- ** Use windex, if having difficulty while inserting rubber glazing gasket



Required:
Masking tape

- Place the second sidelight glass panel on vinyl shims not more than halfway into the second wall channel upright as shown.
- Insert the rubber glazing between sidelight glass panel and outer wall channel upright/ inner striker upright.



Required:
Rubber mallet, piece of carpet, scissors

- Place the glass door on a piece of carpet.
- Slide deflector seal on bottom of the door.
- Tap using rubber mallet making sure lip for deflector seal is on inside of door. Cut excess deflector seal.

9



Metal washer: 4 pcs

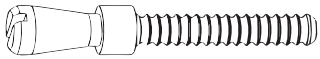


Rubber washer: 4 pcs

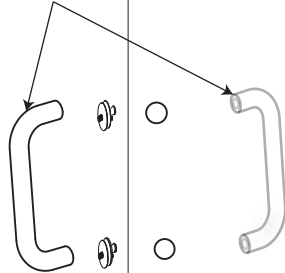


Central bushing: 2 pcs

Handle screw: 2 pcs



Door handle (11)

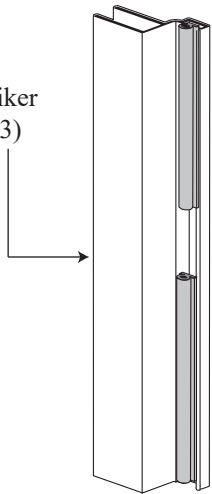


Required:
Screwdriver

- Hold one pair of metal washers and rubber washers on one side of the glass and insert the screw through the glass. Make sure the screw rests on central bushing to protect glass from cracks. Use the screwdriver to place the handle screw into the door handle.
- Tighten the screw to the second door handle using Allen key

11

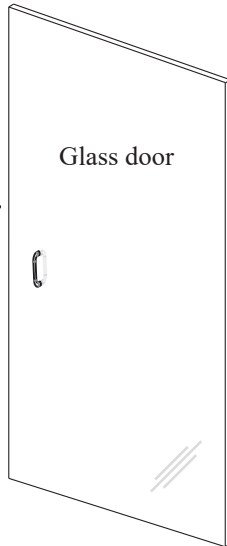
Inner striker upright (3)



Rubber gasket

Magnetic striker (15)

Glass door



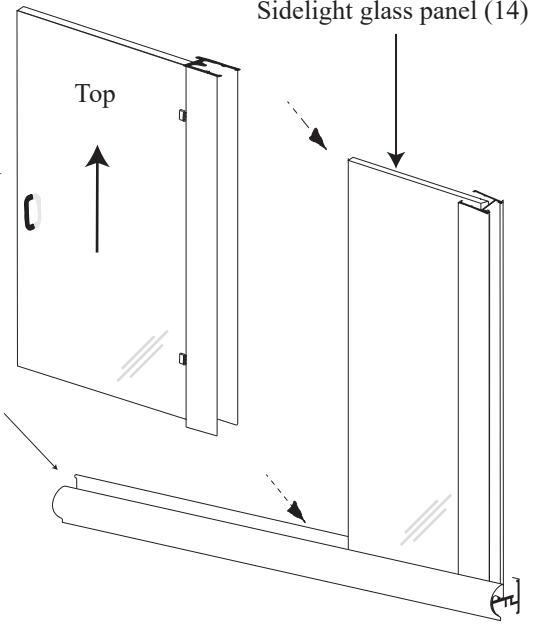
Required:
Rubber mallet, scissors

- Unpack the magnetic striker assembly.
- Close door and mark location of magnet on glass door, lining up with the space in the vinyl on striker upright.
- Wrap black rubber gasket over the edge of glass which aligns with the magnet on the inner striker upright.
- Tap the magnetic striker over the gasket using a rubber mallet to fit in place.
- Make sure magnetic striker matches up. Trim any gasket that shows

10

Glass door and hinge (5)

Threshold (1)



Silight glass panel (14)

Top

Required:
Masking tape

- **Only hinge side silight glass panel & wall channel upright is shown
- Place glass door into the silight glass panel and hold into place with masking tape.
- Check the door swing.
- Follow step 6, for placing the glazing gaskets to secure the door.

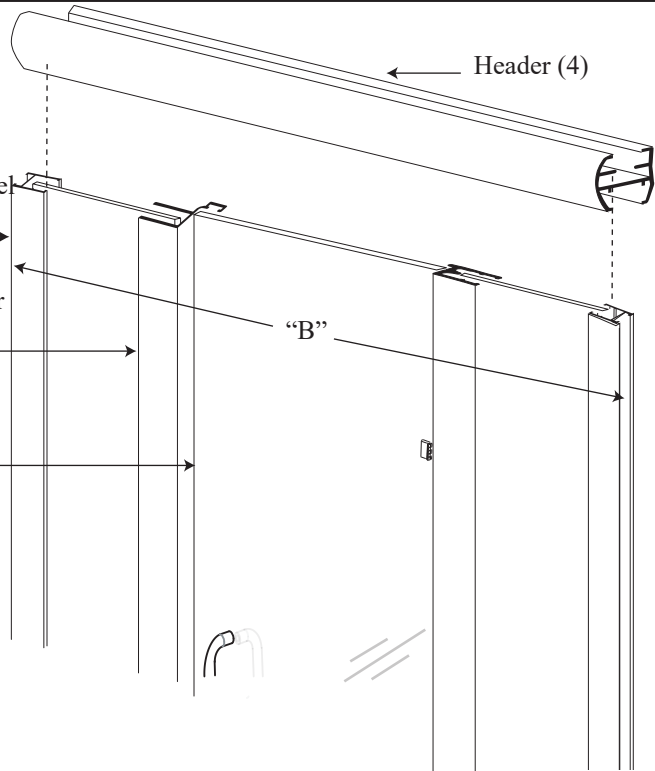
12

Header (4)

Wall channel upright (2)

Inner striker upright (3)

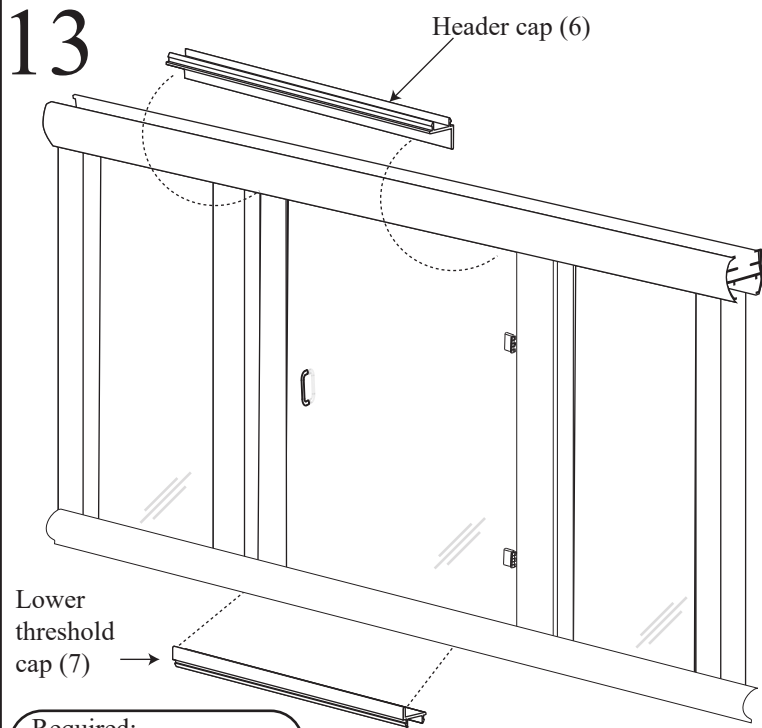
Glass door and hinge (5)



"B"

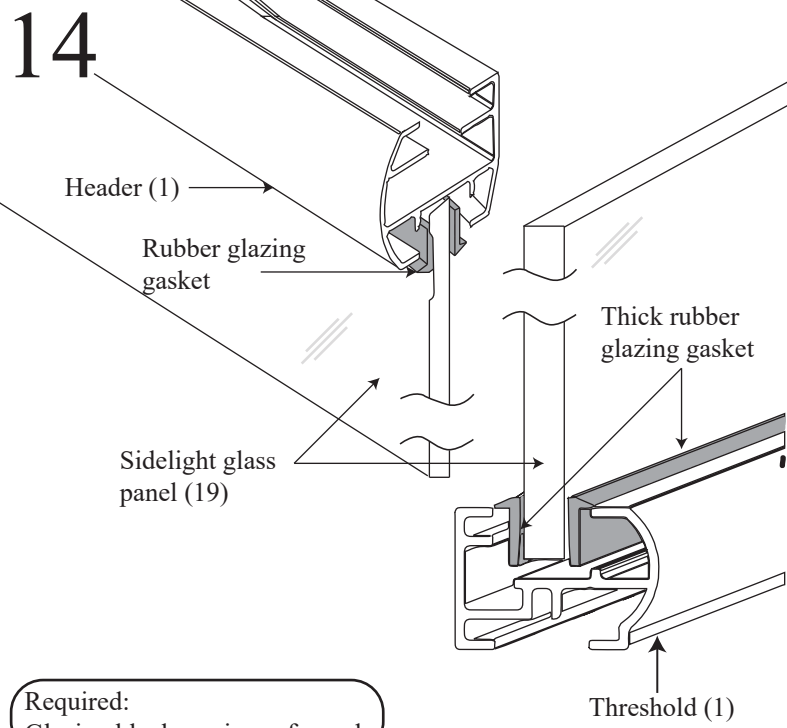
Required:
Hacksaw, #32 metal drill bit, screwdriver, tape measure

- Measure the distance "B" between the walls and cut the header accordingly.
- Place header on top of the unit as shown.



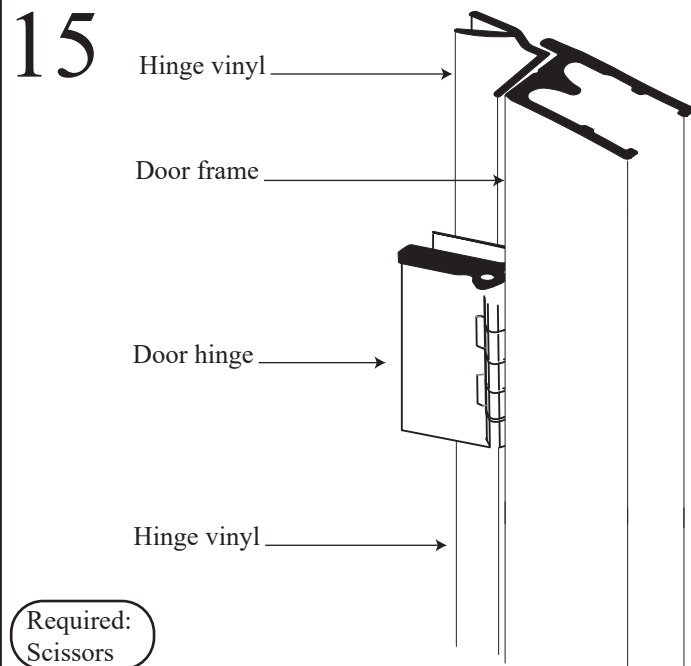
Required:
Rubber mallet, hacksaw

- Measure and cut the header cap and lower threshold cap to fit between the uprights and place it on top and bottom of door frame.
- Either tap onto place with rubber mallet or slide through the groove. Caulk in bottom of threshold.
- **Header cap will be the one with the longer leg



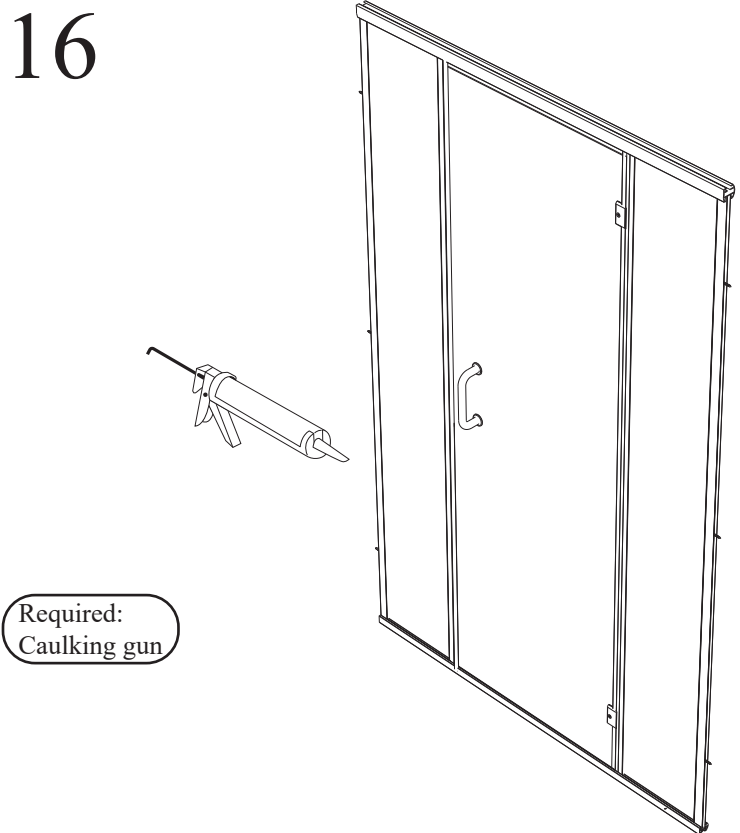
Required:
Glazing block or piece of wood

- Measure the larger rubber glazing gasket for the horizontal sides of the sidelight glass panel with a inch or two extra.
- Insert between both the threshold and header to seal (inside and outside).
- Do not stretch rubber, leave long.
- Tap glazing gaskets with glazing block or piece of wood.
- **Use windex, if having difficulty inserting thick rubber glazing gaskets



Required:
Scissors

- Cut the hinge vinyl to fit in between the hinges above and below the hinges.
- Vinyl must be cut to fit exactly in between the hinges to prevent water leakage. Also, the vinyl above the hinge and below the hinge must contact the hinge in order to prevent leakage.
- Vinyl is adhesive backed be careful to clean the metal before applying the hinge vinyl.
- When applying vinyl to the upright make sure the vinyl is lined up against the small leg of the hinge upright extrusion.



Required:
Caulking gun

- On completion of assembly and installation, caulk entire inside of the unit where it meets the wall and the base and the outside of threshold where it meets the walls and base to prevent water leakage.
- Wait for 24 hours before using, for silicone to dry.